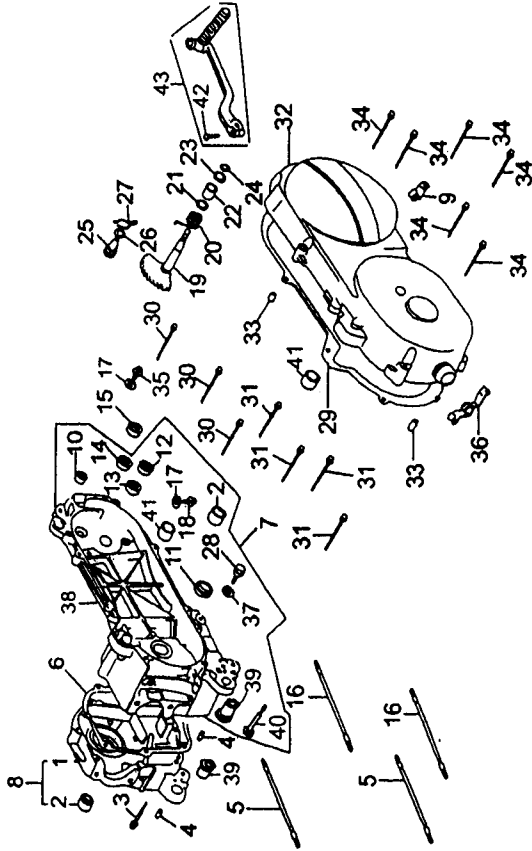


Parts Catalog For LF50QT-2A

FIG 1

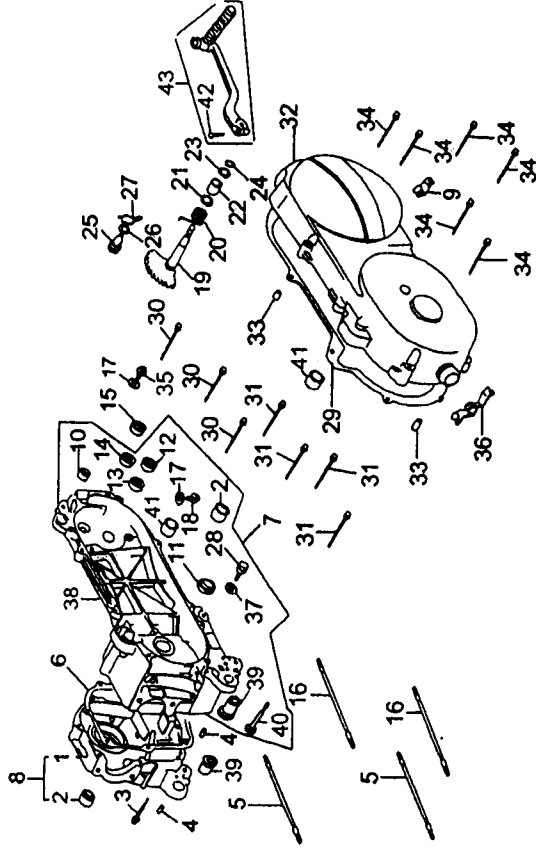
Crankcase



NO.	CODE NAME	PART NUMBER	PRICE	DESCRIPTION	QUANTITY	NOTE
1		401.001	53.69	crankcase comp., right	1	
2		401.002	2.76	bush, engine hanger	2	
3		401.003	0.80	bolt M6X45	1	
4		401.004	0.75	dowel pin 8X14	2	
5		401.005	1.59	cylinder stud A M7X168	2	
6		401.006	0.98	gasket, crankcase	1	
7				left crankcase assy.	1	
8				right crankcase assy.	1	
9		401.009	0.89	brake cable clamper	1	
10		401.010	2.85	lower bush, right shock absorber	1	
11		401.011	1.85	oil seal 19.8X30X5	1	
12		401.012	4.79	bearing 6203	1	
13		401.013	4.17	bearing 6201	1	
14		401.014	4.88	bearing 6203A/42	1	
15		401.015	1.80	oil seal 17X30X6	1	
16		401.016	1.62	cylinder stud B	1	
17		401.017	0.50	washer, drain bolt	1	
18		401.018	0.80	bolt M8X12	1	
19		401.019	13.86	start shaft comp.	1	
20		401.020	3.16	return spring	1	
21		401.021	0.60	nylon bush	1	

FIG 1

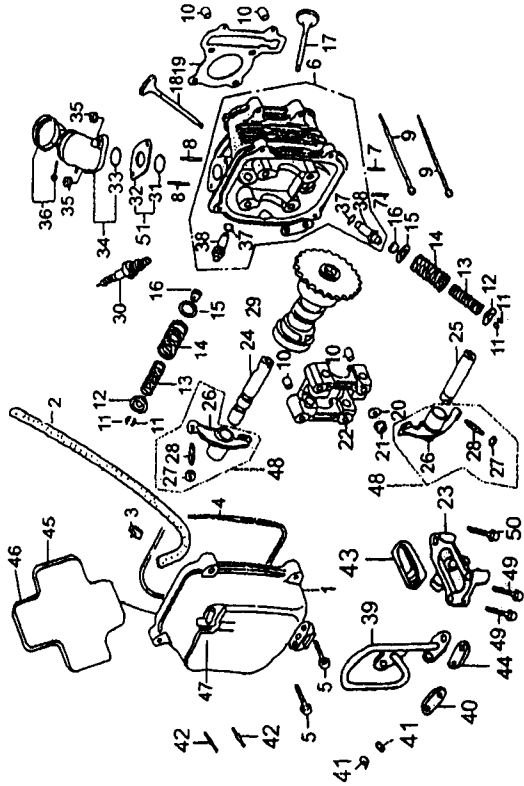
Crankcase



NO.	CODE NAME	PART NUMBER	PRICE	DESCRIPTION	QUANTITY	NOTE
22		401.022	1.12	bush	1	
23		401.023	0.55	washer 14	1	
24		401.024	0.65	circlip 13	1	
25		401.025	5.07	bridge gear comp.	1	
26		401.026	0.50	washer 10	1	
27		401.027	0.89	friction spring	1	
28		401.028	0.80	drain bolt M12X14	1	
29		401.029	2.12	gasket, left crankcase cover	1	
30		401.030	0.80	bolt M8X35	3	
31		401.031	0.80	bolt M8X40	4	
32		401.032	26.85	left crankcase cover	1	
33		401.033	0.75	dowel pin 8X14	2	
34		401.034	0.80	bolt M6X35	8	
35		401.035	0.80	drain bolt, transmission case	1	
36		401.036	0.99	clamp, throttle cable	1	
37		401.037	0.50	washer 12	1	
38		401.038	87.99	crankcase comp., left	1	
39		401.039	1.59	bush, main stand	2	
40		401.040	0.87	dowel, spring	1	
41		401.041	1.08	sleeve	2	
42		401.042	0.80	bolt M6X22	1	
43		401.043	8.99	kick starter	1	

FIG 2

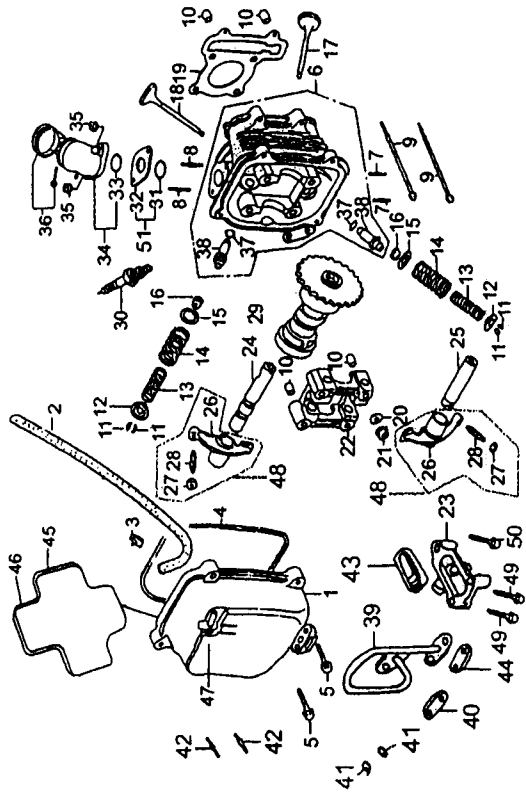
Cylinder Head



NO.	CODE NAME	PART NUMBER	PRICE	DESCRIPTION	QUANTITY	NOTE
1		402.001	9.87	cylinder head cover comp.	1	
2		402.002	0.98	exhaust tube	1	
3		402.003	0.65	clip, exhaust tube	1	
4		402.004	1.87	gasket, cylinder head cover	1	
5		402.005	0.80	bolt M6X25	4	
6		402.006	38.99	cylinder head comp.	1	
7		402.007	0.80	bolt M6X32	2	
8		402.008	0.80	bolt M6X50	2	
9		402.009	0.85	bolt M6X100	2	
10		402.010	0.75	dowel pin 8X14	4	
11		402.011	1.88	valve clip	4	
12		402.012	3.31	upper valve spring seat	2	
13		402.013	2.50	inner valve spring	2	
14		402.014	2.55	outer valve spring	2	
15		402.015	2.67	lower valve spring seat	2	
16		402.016	1.58	seal, valve stem	2	
17		402.017	8.75	exhaust valve	1	
18		402.018	8.75	inlet valve	1	
19		402.019	1.59	gasket, cylinder head	1	
20		402.020	0.50	washer 7	4	
21		402.021	0.65	nut M7	4	

FIG 2

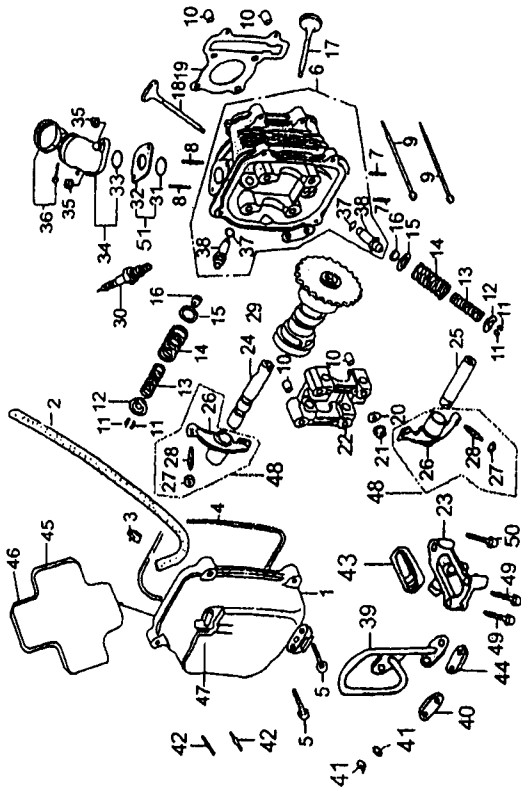
Cylinder Head



NO.	CODE NAME	PART NUMBER	PRICE	DESCRIPTION	QUANTITY	NOTE
22		402.022	18.37	rocker arm holder	1	
23		402.023	4.74	cap, one-way valve	1	
24		402.024	2.82	rocker arm shaft	1	
25		402.025	2.82	rocker arm shaft	1	
26		402.026	8.23	rocker arm	2	
27		402.027	0.65	adjusting nut, valve clearance	2	
28		402.028	1.22	adjusting screw, valve clearance	2	
29		402.029	10.68	cam shaft comp.	1	
30		402.030	2.80	spark plug	1	
31		402.031	1.57	O-ring, intake pipe 20.6X1.9	1	
32		402.032	1.20	heat insulation gasket	1	
33		402.033	1.50	O-ring 27X2.0	1	
34		402.034	4.79	inlet pipe set	1	
35		402.035	0.65	nut M6	2	
36		402.036	1.03	inlet pipe clip	1	
37		402.037	1.03	O-ring	2	
38		402.038	5.29	guide pipe, valve	2	
39		402.039	3.77	air pipe comp.	1	
40		402.040	0.99	gasket	1	
41		402.041	0.65	nut M6	2	
42		402.042	1.20	stud	2	

FIG 2

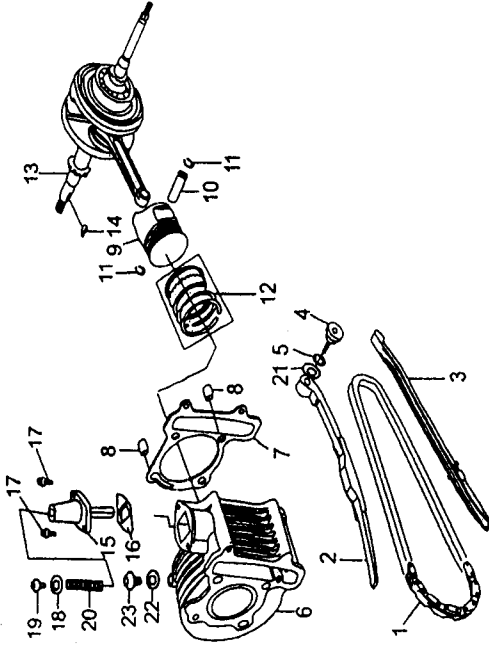
Cylinder Head



NO.	CODE NAME	PART NUMBER	PRICE	DESCRIPTION	QUANTITY	NOTE
43		402.043	5.97	one-way valve	1	
44		402.044	0.99	gasket	1	
45		402.045	1.32	cover	1	
46		402.046	1.17	gasket, cover	1	
47		402.047	3.97	exhaust throttle	4	
48		402.048	10.10	rocker arm assy.	1	
49		402.049	0.80	bolt M6X40	2	
50		402.050	0.80	bolt M6X25	2	
51		402.051	1.18	heat insulation gasket	2	

FIG 3

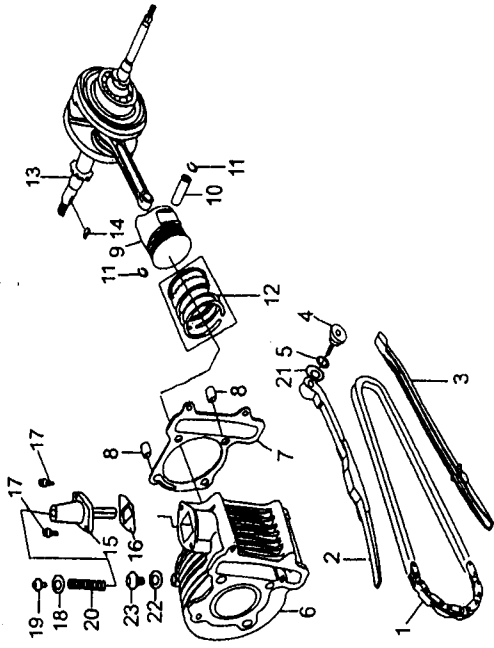
Cylinder, Crankshaft
Piston



NO.	CODE NAME	PART NUMBER	PRICE	DESCRIPTION	QUANTITY	NOTE
1		403.001	9.32	timing chain	1	
2		403.002	4.32	tension plate	1	
3		403.003	4.08	guide	1	
4		403.004	1.98	screw	1	
5		403.005	1.27	O-ring 15.5X1.5	1	
6		403.006	32.99	cylinder comp.	1	
7		403.007	1.36	cylinder gasket	1	
8		403.008	0.75	dowel pin 8X14	1	
9		403.009	17.99	piston	2	
10		403.010	2.65	pin, piston	1	
11		403.011	0.90	circlip, piston pin	1	
12		403.012	8.30	piston ring set	2	
13		403.013	45.66	crankshaft & con-rod comp.	1	
14		403.014	2.25	woodruff key	1	
15		403.015	7.26	tensioner assy.	1	
16		403.016	0.70	tensioner gasket	1	
17		403.017	0.85	bolt M6X18	1	
18		403.018	0.50	washer 8	2	
19		403.019	0.85	bolt M8X8	1	
20		403.020	1.06	spring, tension rod	1	
21		403.021	0.50	washer	1	

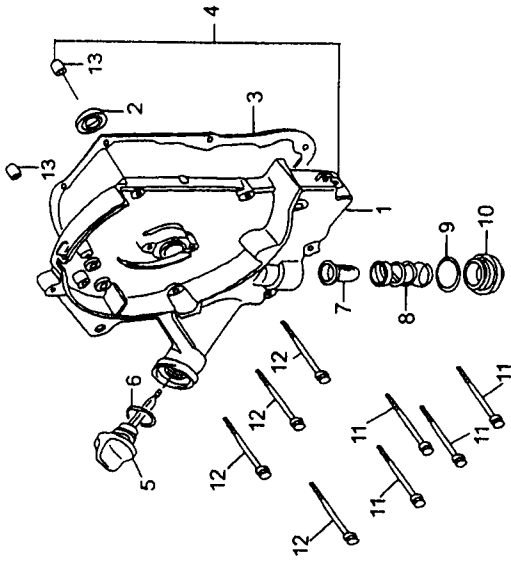
FIG 3

Cylinder, Crankshaft
Piston



NO.	CODE NAME	PART NUMBER	PRICE	DESCRIPTION	QUANTITY	NOTE
22		403.022	0.50	washer 6	1	
23		403.023	0.85	bolt M6X12	1	

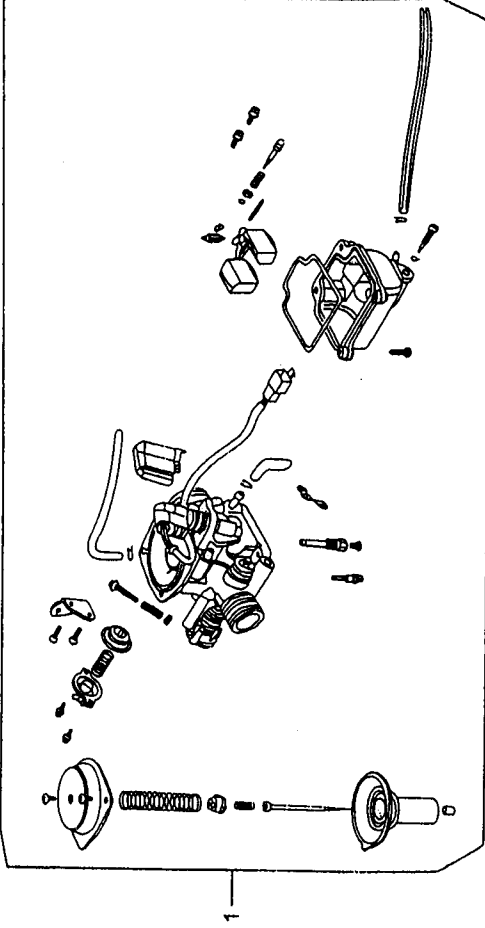
FIG 4
Right Crankcase Cover



NO.	CODE NAME	PART NUMBER	PRICE	DESCRIPTION	QUANTITY	NOTE
1		404.001	23.79	right crankcase cover	1	
2		404.002	1.17	oil seal 16.4X30X5	1	
3		404.003	1.36	gasket, right crankcase cover	1	
4				right crankcase cover assy.	1	
5		404.005	3.67	dipstick	1	
6		404.006	0.89	O-ring 18X3	1	
7		404.007	2.99	oil filter screen	1	
8		404.008	1.09	spring	1	
9		404.009	1.29	O-ring 30X8	1	
10		404.010	1.96	oil filter screen cover	1	
11		404.011	0.95	bolt M6X100	4	
12		404.012	0.95	bolt M6X85	4	
13		404.013	0.80	dowel pin 8X14	2	

FIG 5

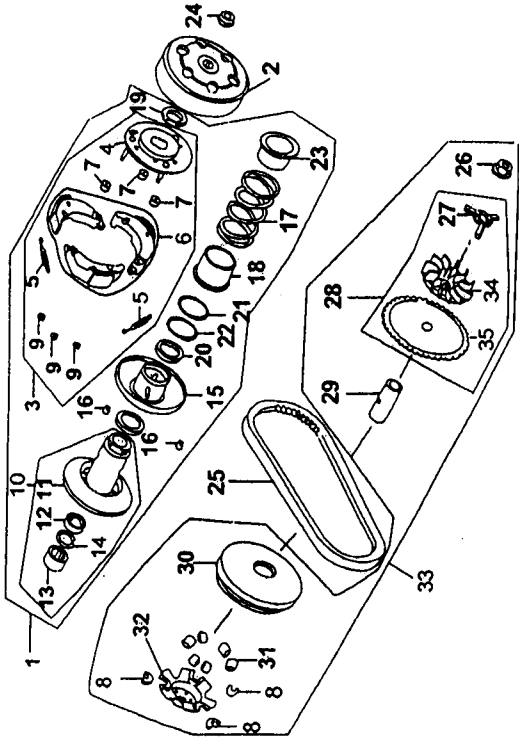
Carburetor



NO.	CODE NAME	PART NUMBER	PRICE	DESCRIPTION	QUANTITY	NOTE
1		405.001	95.60	carburetor assy.	1	

FIG 6

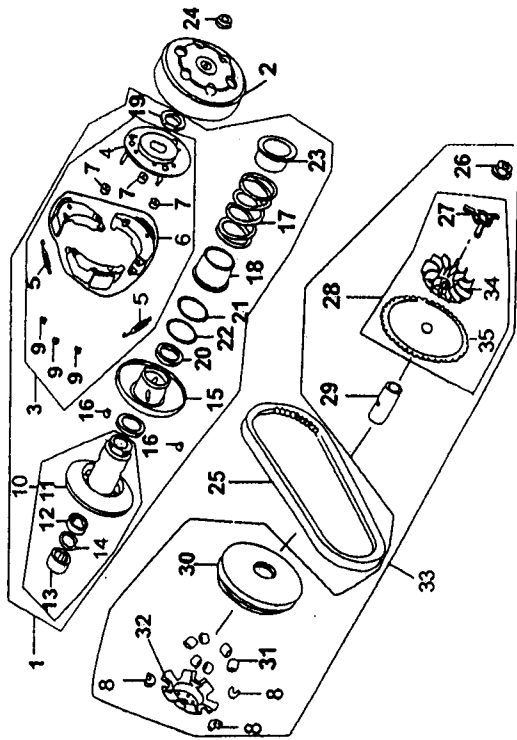
Driving & Driven Pulley



NO.	CODE NAME	PART NUMBER	PRICE	DESCRIPTION	QUANTITY	NOTE
1		406.001	46.38	driven pulley Assy.	1	
2		406.002	9.95	clutch driven plate	1	
3		406.003	9.80	clutch driving plate Assy.	1	
4		406.004		clutch driving plate	1	
5		406.005		spring	3	
6		406.006	5.37	clutch shoe set	1	
7		406.007		damping rubber	3	
8		406.008		clamp slide	3	
9		406.009		circlip 6	3	
10		406.010		driven fixing plate set	1	
11		406.011		driven fixing plate	1	
12		406.012		bearing 6901U	1	
13		406.013		needle bearing 17X25X18	1	
14		406.014		circlip 24	1	
15		406.015		sliding plate set, driven pulley	1	
16		406.016		guide pin	1	
17		406.017		spring, pressure	3	
18		406.018		right spring seat	1	
19		406.019		nut M28	1	
20		406.020		oil seal 34X39X3	1	
21		406.021		O-ring 36X1.5	2	

FIG 6

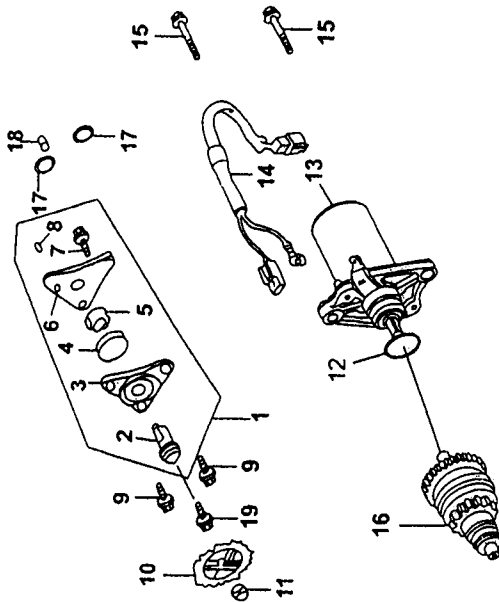
Driving & Driven Pulley



NO.	CODE NAME	PART NUMBER	PRICE	DESCRIPTION	QUANTITY	NOTE
22		406.022		O-ring 39.8X2.2	1	
23		406.023		left spring seat	1	
24		406.024	0.75	lock nut M10X1.25	1	
25		406.025	19.82	belt	1	
26		406.026	0.75	lock nut M12X1.25	1	
27		406.027		ratchet	1	
28		406.028		fixing plate set, driving pulley	1	
29		406.029		sleeve, driving pulley	1	
30		406.030		sliding plate, driving pulley	1	
31		406.031		centrifugal roller comp.	1	
32		406.032	37.84	clamp	6	
33		406.033		driving pulley assy.	1	
34		406.034		impeller, cooling fan	1	
35		406.035		fixing plate, driving pulley	1	

FIG 7

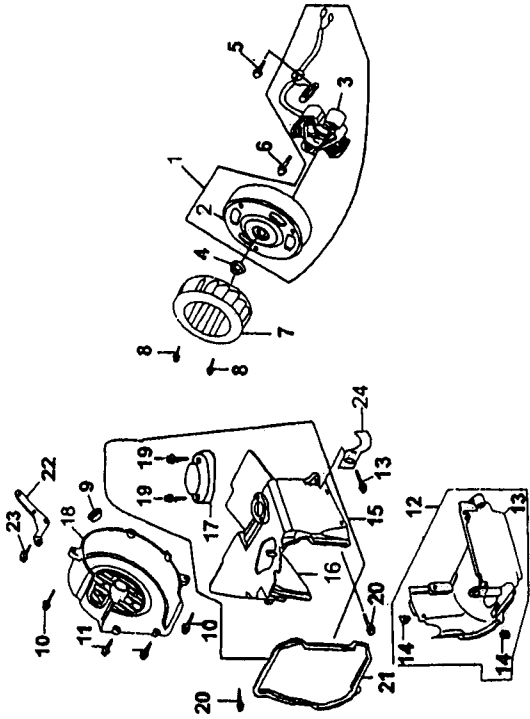
Start Motor
Oil Pump



NO.	CODE NAME	PART NUMBER	PRICE	DESCRIPTION	QUANTITY	NOTE
1		407.001	22.89	oil pump set	1	
2				oil pump shaft	1	
3				oil pump body	1	
4				outer rotor, oil pump	1	
5				inner rotor, oil pump	1	
6				oil pump cover	1	
7				screw M4X10	3	
8				dowel pin 4X6.5	1	
9		407.009	0.80	bolt M6X20	2	
10		407.010	4.32	oil pump driven sprocket	1	
11		407.011	0.65	nut M6	1	
12		407.012	0.99	O-ring	1	
13		407.013	50.30	start motor	1	
14		407.014	2.20	wire, start motor	1	
15		407.015	0.80	bolt M6X25	2	
16		407.016	9.38	idle gear	1	
17		407.017	0.99	O-ring 9X1.6	2	
18		407.018	0.75	dowel pin 8X12	1	
19		407.019	0.80	bolt M6X25	1	

FIG 8

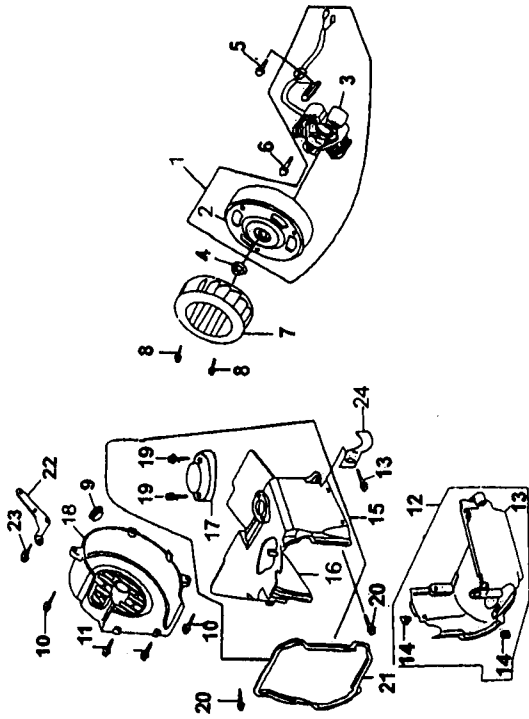
Fan Cover
Magneto



NO.	CODE NAME	PART NUMBER	PRICE	DESCRIPTION	QUANTITY	NOTE
1		408.001	35.90	magneto assy.	1	
2				rotor comp.	1	
3				stator comp.	1	
4		408.004	0.65	nut M10X1.25	1	
5		408.005	0.80	bolt M5X12	2	
6		408.006	0.80	bolt M6X22	2	
7		408.007	7.75	impeller, fan	1	
8		408.008	0.80	bolt M6X18	4	
9		408.009	0.70	rubber plug	1	
10		408.010	0.80	bolt M6X25	3	
11		408.011	0.80	screw M6X16	2	
12		408.012		shroud assy. A	2	
13		408.013	9.86	shroud A	1	
14		408.014	0.65	spring nut	2	
15		408.015		shroud assy. B	1	
16		408.016	9.85	shroud B	1	
17		408.017	0.70	rubber plug	1	
18		408.018	16.80	fan cover comp.	1	
19		408.019	0.70	tapping screw ST4X12	1	
20		408.020	0.80	bolt M6X16	2	
21		408.021	1.05	seal, shroud	1	

FIG 8

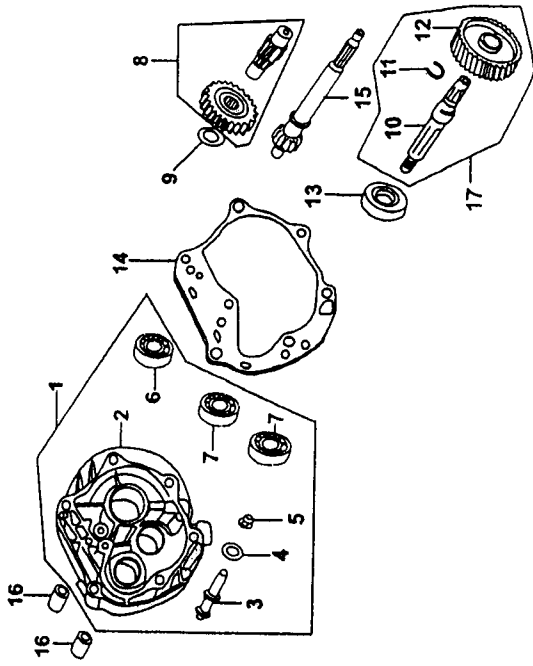
Fan Cover
Magneto



NO.	CODE NAME	PART NUMBER	PRICE	DESCRIPTION	QUANTITY	NOTE
22		408.022	1.20	bracket, fender	1	
23		408.023	0.80	bolt M6X12	1	
24		408.024	1.30	clamp, overflow tube	1	

FIG 9

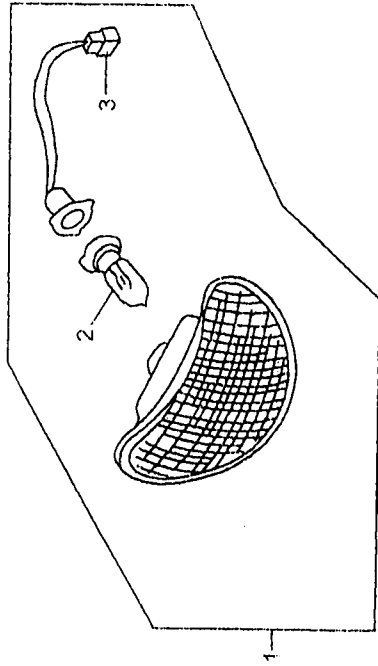
Transmission Case



NO.	CODE NAME	PART NUMBER	PRICE	DESCRIPTION	QUANTITY	NOTE
1				transmission case comp.	1	
2		409.002	12.65	transmission case	1	
3		409.003	3.76	pin, brake shoe	1	
4		409.004	0.95	O-ring 7.5X1.5	1	
5		409.005	0.65	nut M8	1	
6		409.006	4.70	bearing 6004	1	
7		409.007	4.75	bearing 6201	2	
8		409.008	11.72	countershaft comp.	1	
9		409.009	0.50	washer 12	1	
10		409.010	9.96	terminal shaft	1	
11		409.011	0.65	circlip 20	1	
12		409.012	9.87	terminal gear	1	
13		409.013	1.20	oil seal 27X42X7	1	
14		409.014	1.48	gasket	1	
15		409.015	10.98	drive shaft	1	
16		409.016	0.85	dowel pin 10X16	2	
17				terminal shaft comp.	1	

FIG 10

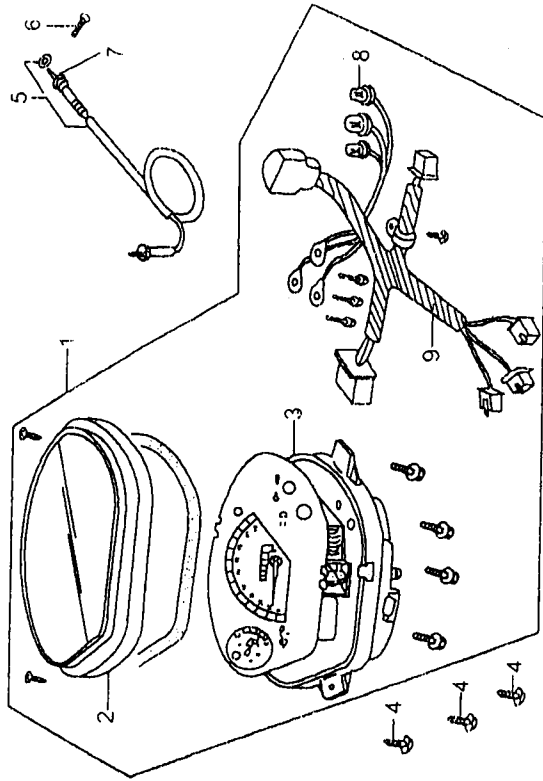
Headlight



NO.	CODE NAME	PART NUMBER	PRICE	DESCRIPTION	QUANTITY	NOTE
1		410.001	29.25	headlight assy.	1	
2		410.002	4.98	bulb, headlight	1	
3		410.003	4.63	socket	1	
4		410.004	0.50	washer	1	
5		410.005	0.85	bolt 4X20	1	

FIG 11

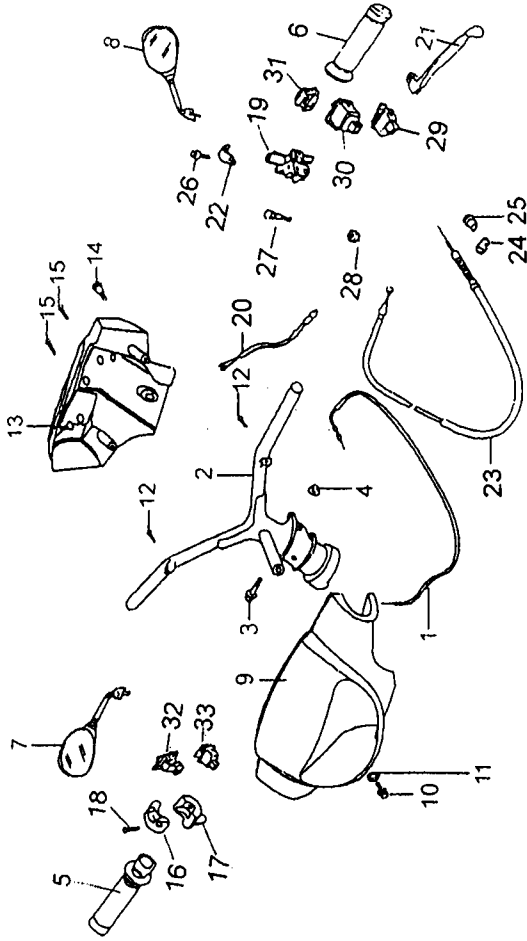
Meter



NO.	CODE NAME	PART NUMBER	PRICE	DESCRIPTION	QUANTITY	NOTE
1		411.001	28.50	speedometer assy.	1	
2				case, speedometer upper	1	
3				case, speedometer lower	1	
4		411.004	0.70	tapping screw ST4.8X16	3	
5		411.005	6.58	speedometer cable	1	
6		411.006	0.85	screw M5X18	1	
7				inner cable	1	
8		411.008	2.99	bulb 12V 3.4W	3	
9		411.009	8.99	meter wire	1	

FIG 12

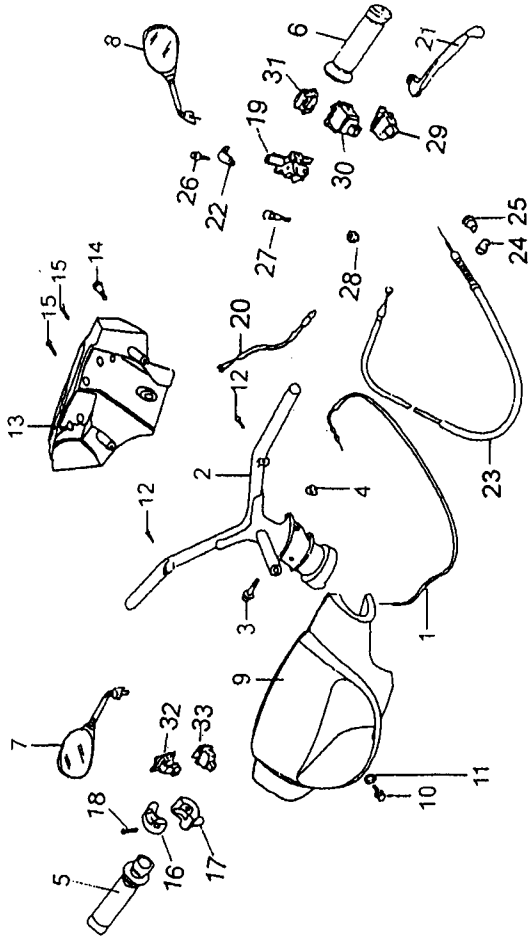
Handlebar



NO.	CODE NAME	PART NUMBER	PRICE	DESCRIPTION	QUANTITY	NOTE
1		412.001	6.19	throttle cable	1	
2		412.002	19.50	handlebar	1	
3		412.003	2.50	bolt M10X1.25X40	1	
4		412.004	0.85	nut M10X1.25	1	
5		412.005	5.90	throttle grip	1	
6		412.006	3.97	left grip	1	
7		412.007	12.50	right mirror	1	
8		412.008	12.50	left mirror	1	
9		412.009	16.88	front handle cover	1	
10		412.010	0.80	screw M5X20	1	
11		412.011	0.50	washer 5	1	
12		412.012	0.80	screw ST4.2X12	2	
13		412.013	12.50	rear handle cover	1	
14		412.014	0.80	bolt M5X15	1	
15		412.015	0.80	screw ST4.2X12	2	
16		412.016	2.99	housing, upper throttle	1	
17		412.017	2.98	housing, under throttle	1	
18		412.018	0.80	screw M5X22	1	
19		412.019	7.38	rear brake handle seat	1	
20		412.020	2.45	rear brake light switch	1	
21		412.021	5.30	rear brake lever	1	

FIG 12

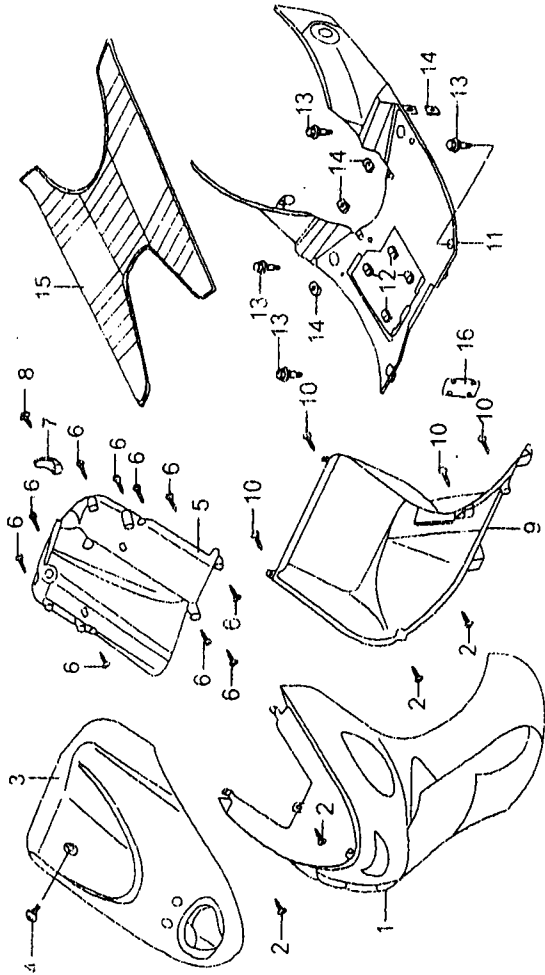
Handlebar



NO.	CODE NAME	PART NUMBER	PRICE	DESCRIPTION	QUANTITY	NOTE
22		412.022	1.99	fixing plate, rear brake handle seat	1	
23		412.023	5.73	rear brake cable	1	
24		412.024	1.19	pin	1	
25		412.025	1.22	adjusting nut	1	
26		412.026	0.85	bolt M6X16	1	
27		412.027	1.09	pin, brake lever	1	
28		412.028	0.65	nut	1	
29		412.029	2.45	horn switch	1	
30		412.030	2.79	turn signal switch	1	
31		412.031	3.19	dimmer switch	1	
32		412.032	2.85	kill switch	1	
33		412.033	2.55	starter switch	1	

FIG 13

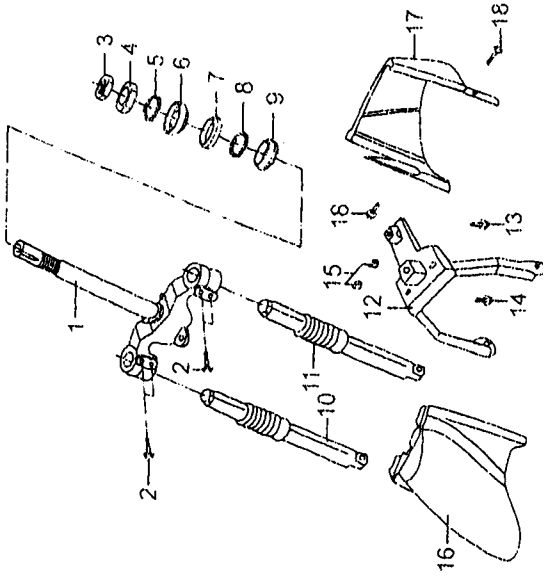
Front Cover
Floor Panel



NO.	CODE NAME	PART NUMBER	PRICE	DESCRIPTION	QUANTITY	NOTE
1		413.001	35.98	front moulding stripe	1	
2		413.002	0.70	screw ST4.2X12	4	
3		413.003	29.79	front cover	1	
4		413.004	0.85	screw M6X16	1	
5		413.005	5.30	upper inner box	1	
6		413.006	0.70	screw ST4.2X12	10	
7		413.007	2.17	helmet hook	1	
8		413.008	0.85	screw M6X12	1	
9		413.009	34.87	inner box	1	
10		413.010	0.70	screw ST4.2X12	4	
11		413.011	18.99	floor panel	1	
12		413.012	0.50	spring nut ST4.2	4	
13		413.013	0.85	screw M6X16	4	
14		413.014	0.50	spring nut ST4.2	1	
15		413.015	12.41	floor mat	1	
16		413.016	1.98	VIN number cover	1	

FIG 14

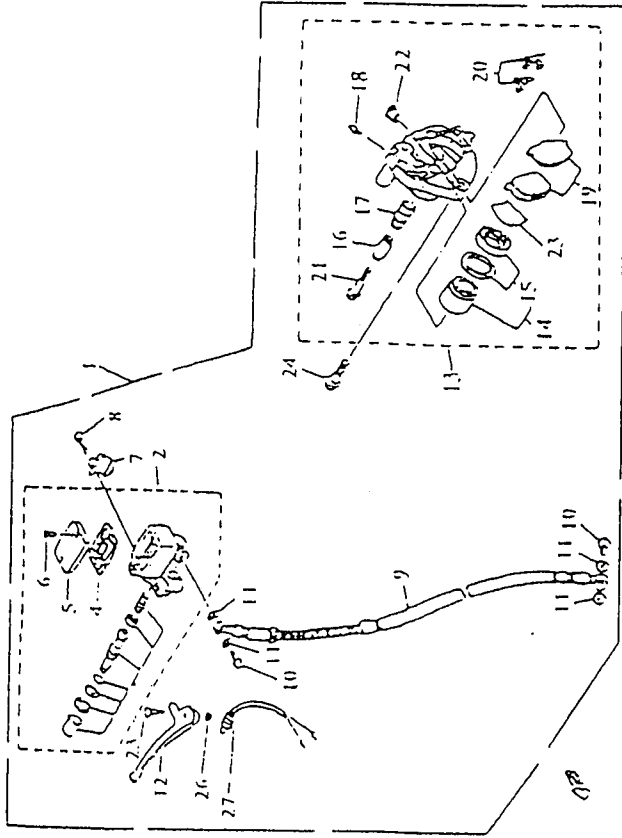
Front Fork



NO.	CODE NAME	PART NUMBER	PRICE	DESCRIPTION	QUANTITY	NOTE
1		414.001	35.90	steering stem comp.	1	
2		414.002	0.95	bolt M8X40	1	
3		414.003	3.66	lock nut, steering stem	1	
4		414.004	3.54	top race, upper bearing	1	
5		414.005	0.22	steel ball 5	26	
6		414.006	3.29	lower race, upper bearing	1	
7		414.007	3.69	upper race, under bearing	1	
8		414.008	0.22	steel ball 5	29	
9		414.009	3.69	lower race, under bearing	1	
10		414.010	28.97	left shock, front	1	
11		414.011	28.97	right shock, front	1	
12		414.012	7.96	bracket, front fender	1	
13		414.013	0.85	bolt M5X15	1	
14		414.014	0.85	bolt M5X15	1	
15		414.015	0.90	rubber lid stopper	2	
16		414.016	13.86	front fender, front	1	
17		414.017	7.85	front fender, rear	1	
18		414.018	0.85	bolt M6X12	2	

FIG 15

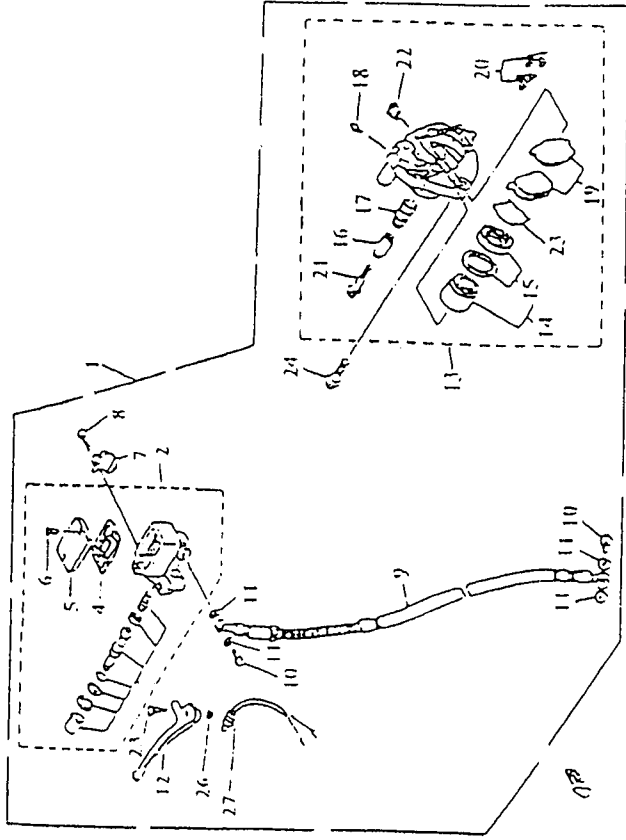
Front Brake Comp.



NO.	CODE NAME	PART NUMBER	PRICE	DESCRIPTION	QUANTITY	NOTE
1		415.001	96.77	front brake system	1	
2		415.002		front master cylinder assy.	1	
3		415.003		master cylinder assy.	1	
4		415.004		oil tank diaphragm	1	
5		415.005		oil tank cover	1	
6		415.006		screw	2	
7		415.007		master cylinder holder	1	
8		415.008		screw	2	
9		415.009		brake stay	1	
10		415.010		bolt	2	
11		415.011		washer	4	
12		415.012	5.69	front brake lever	1	
13		415.013		brake caliper assy.	1	
14		415.014		caliper piston assy.	1	
15		415.015		caliper seal set	1	
16		415.016		caliper sleeve	1	
17		415.017		protective cover	1	
18		415.018		oil drain screw	1	
19		415.019		brake shoe set	1	
20		415.020		mat bracket	1	
21		415.021		bolt	1	

FIG 15

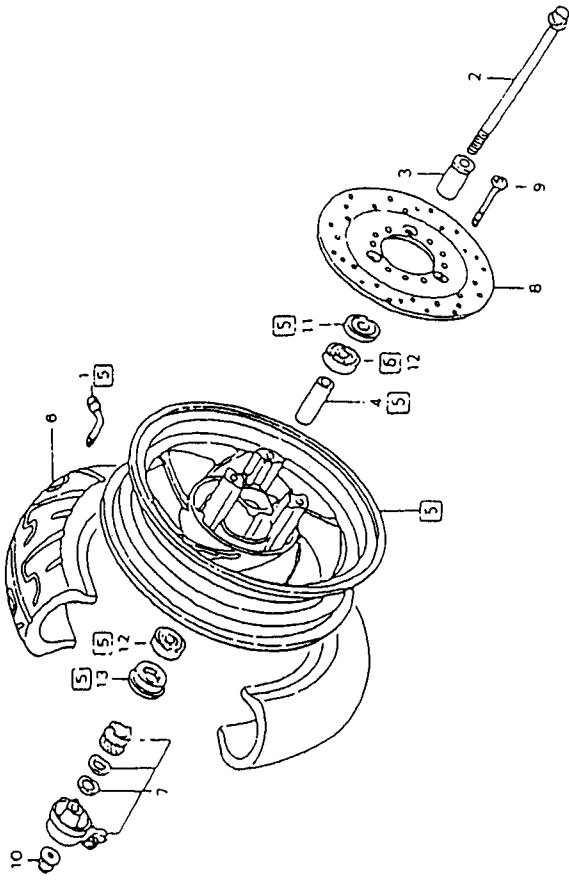
Front Brake Comp.



NO.	CODE NAME	PART NUMBER	PRICE	DESCRIPTION	QUANTITY	NOTE
22		415.022		indicator cover	1	
23		415.023		brake calipers shim	1	
24		415.024		flange bolt	2	
25		415.025		bolt	1	
26		415.026	2.63	nut	1	
27		415.027		brake light switch	1	

FIG 16

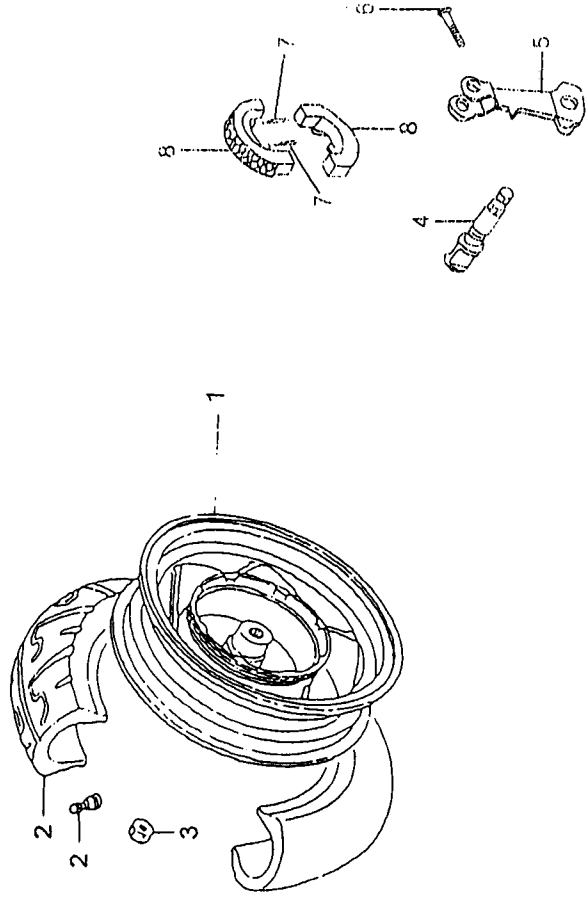
Front Wheel



NO.	CODE NAME	PART NUMBER	PRICE	DESCRIPTION	QUANTITY	NOTE
1		416.001	1.95	valve, rim	1	
2		416.002	5.85	front wheel axle	1	
3		416.003	1.92	collar, front brake	1	
4		416.004	2.25	collar, front axle distance	1	
5		416.005	32.99	front wheel set	1	
6		416.006	19.92	front tire	1	
7		416.007	16.88	speedometer gear assy.	1	
8		416.008	18.68	front disc	1	
9		416.009	0.70	front disc bolt	3	
10		416.010	0.50	flange nut	1	
11		416.011	2.05	dust seal	1	
12		416.012	5.98	bearing	2	
13		416.013	1.98	seal	1	

FIG 17

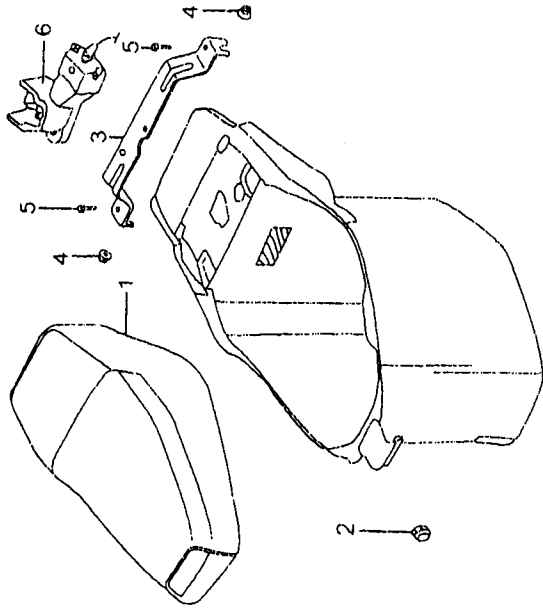
Rear Wheel



NO.	CODE NAME	PART NUMBER	PRICE	DESCRIPTION	QUANTITY	NOTE
1		417.001	32.99	rear wheel set	1	
2		417.002	19.92	rear tire	1	
3		417.003	1.98	nut M16	1	
4		417.004	2.98	cam, rear brake	1	
5		417.005	3.45	arm, rear brake	2	
6		417.006	0.85	bolt M6X32	1	
7		417.007	0.86	spring, rear brake shoe	1	
8		417.008	8.48	shoe set, rear brake	1	

FIG 18

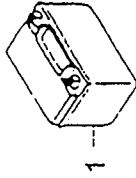
Seat



NO.	CODE NAME	PART NUMBER	PRICE	DESCRIPTION	QUANTITY	NOTE
1		418.001	33.58	seat	1	
2		418.002	0.65	nut M6	2	
3		418.003	4.98	bracket, seat catch	1	
4		418.004	0.65	nut M6	2	
5		418.005	0.85	bolt M6X16	2	
6		418.006	7.42	seat catch	1	

FIG 20

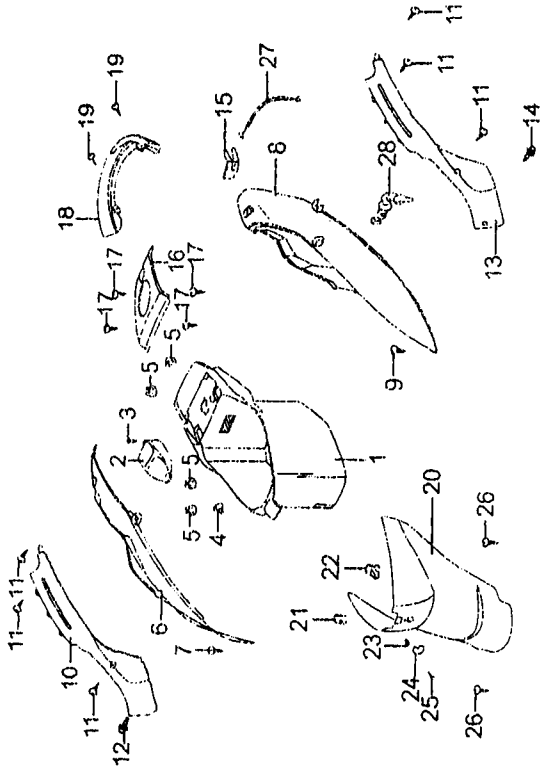
Battery



NO.	CODE NAME	PART NUMBER	PRICE	DESCRIPTION	QUANTITY	NOTE
1		420.001		battery	1	
2		420.002		cover, battery box	1	
3		420.003		screw ST4.8X16	4	

FIG 21

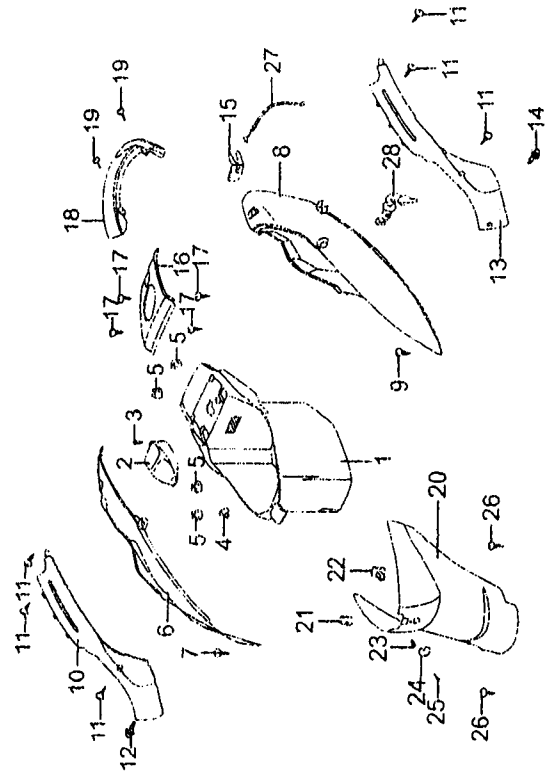
Luggage Box
Rear Cover



NO.	CODE NAME	PART NUMBER	PRICE	DESCRIPTION	QUANTITY	NOTE
1		421.001	24.89	luggage box	1	
2		421.002	4.65	maintenance cover, carburetor	1	
3		421.003	0.85	screw	1	
4		421.004	0.85	screw	1	
5		421.005	0.65	nut M6	4	
6		421.006	19.29	right body cover	1	
7		421.007	0.85	screw ST4.8X20	1	
8		421.008	19.29	left body cover	1	
9		421.009	0.85	screw ST4.8X20	1	
10		421.010	14.57	right rear side moulding	1	
11		421.011	0.70	screw ST4.2X12	6	
12		421.012	0.85	screw M6X12	1	
13		421.013	14.57	left rear side moulding	1	
14		421.014	0.85	screw M6X12	1	
15		421.015	1.96	clip, seat lock	1	
16		421.016	5.99	rear center cover	1	
17		421.017	0.70	screw ST4.2X12	4	
18		421.018	5.88	rear center moulding	1	
19		421.019	0.70	screw ST4.2X12	2	
20		421.020	10.89	center cover	1	
21		421.021	0.50	spring nut M6	1	

FIG 21

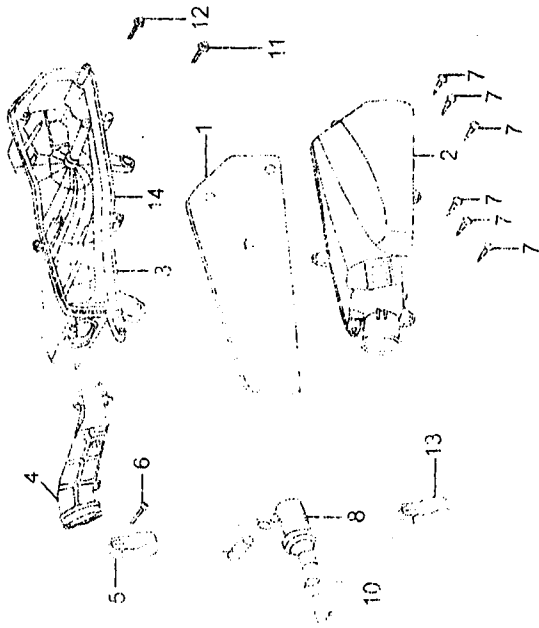
Luggage Box
Rear Cover



NO.	CODE NAME	PART NUMBER	PRICE	DESCRIPTION	QUANTITY	NOTE
22		421.022	2.05	stay, helmet hook	1	
23		421.023	0.65	stopper	1	
24		421.024	3.85	hook	1	
25		421.025	0.85	screw M6X20	1	
26		421.026	0.70	screw ST4.8X16	2	
27		421.027	1.68	cable, seat lock	1	
28		421.028	incl. in 429.015	key, seat lock	1	

FIG 22

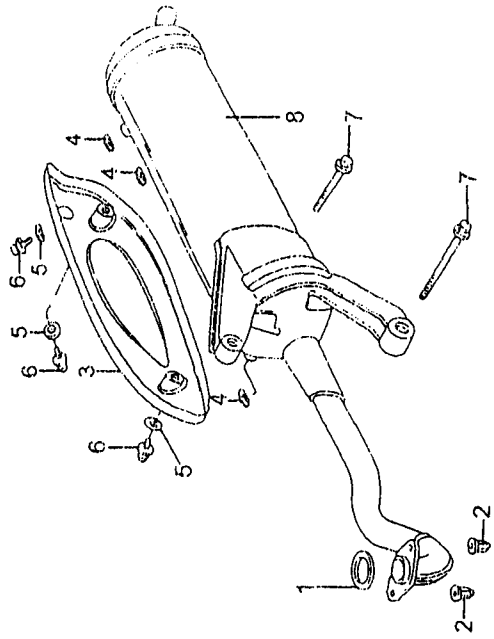
Air Cleaner



NO.	CODE NAME	PART NUMBER	PRICE	DESCRIPTION	QUANTITY	NOTE
0		422.000	19.79	air cleaner assy.	1	
1		422.001	3.98	element, air cleaner	1	
2				cover, air cleaner	1	
3				case assy., air cleaner	1	
4				tube, air cleaner	1	
5		422.005	1.88	clamp A	1	
6				screw M4X25	1	
7				screw ST4.8X20	6	
8		422.008	5.69	catch tank assy.	1	
9				tube B	1	
10				tube A	1	
11				bolt M6X25	1	
12				bolt M6X25	1	
13		422.013	1.98	clamp B	1	
14				seal, air cleaner	1	

FIG 23

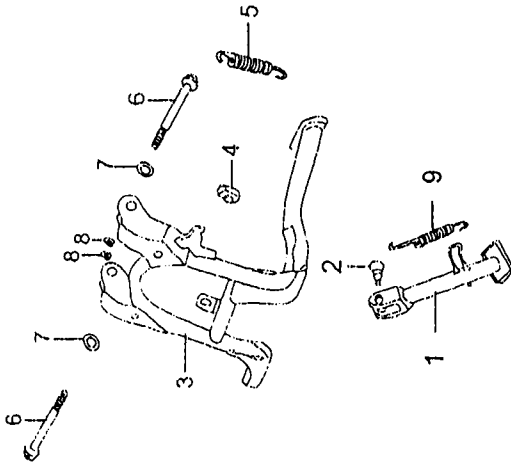
Muffler



NO.	CODE NAME	PART NUMBER	PRICE	DESCRIPTION	QUANTITY	NOTE
0		423.000	29.99	exhaust pipe assy.	1	
1		423.001	1.95	gasket, exhaust pipe	1	
2		423.002	0.85	cap nut M6	2	
3		423.003	9.80	protecting cover, muffler guard	1	
4				washer	1	
5				bolt M6X12	3	
6				bolt M8X35	3	
7		423.007	1.45	exhaust pipe	2	
8					1	

FIG 24

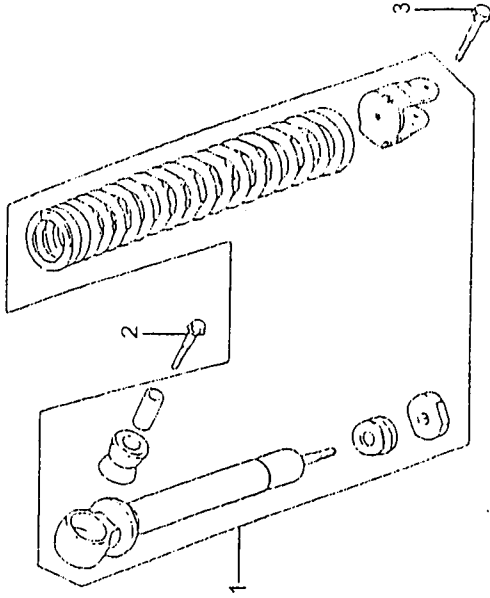
Stand



NO.	CODE NAME	PART NUMBER	PRICE	DESCRIPTION	QUANTITY	NOTE
1		424.001	3.99	side stand	1	
2		424.002	1.05	bolt, side stand	1	
3		424.003	10.79	main stand	1	
4		424.004	1.09	damper	1	
5		424.005	1.99	spring, main stand	1	
6		424.006	0.99	bolt M8X45	2	
7		424.007	0.50	washer	2	
8		424.008	0.65	nut M8	2	
9		424.009	1.99	spring, side stand	1	

FIG 25

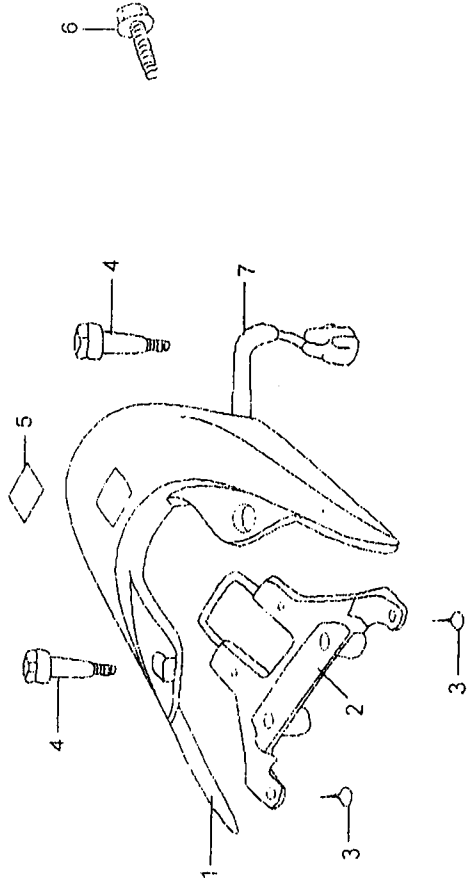
Rear Shock



NO.	CODE NAME	PART NUMBER	PRICE	DESCRIPTION	QUANTITY	NOTE
1		425.001	20.48	rear shock comp.	1	
2		425.002	1.20	bolt M10X1.25X70	1	
3		425.003	0.90	bolt M8X35	1	

FIG 26

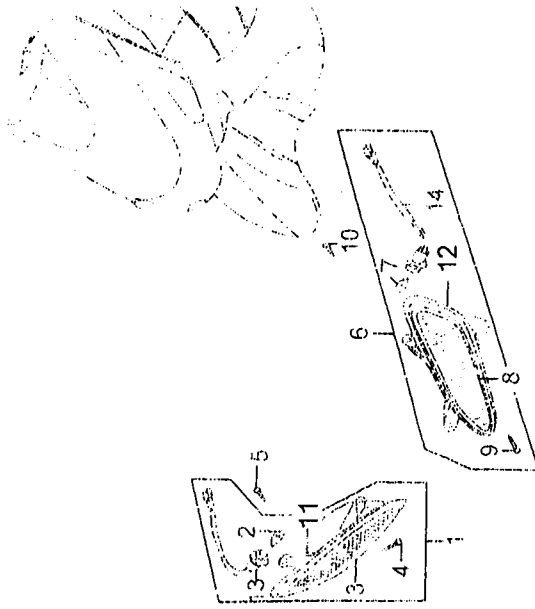
Rear Rack



NO.	CODE NAME	PART NUMBER	PRICE	DESCRIPTION	QUANTITY	NOTE
1		426.001	12.76	cover, rear rack	1	
2		426.002	11.95	rack	1	
3		426.003	0.70	screw ST4.2X12	4	
4		426.004	0.85	bolt M8X32	2	
5		426.005	1.29	lid cover	1	
6		426.006	1.20	bolt M8X85	1	
7		426.007	5.35	light, rear rack	1	

FIG 27

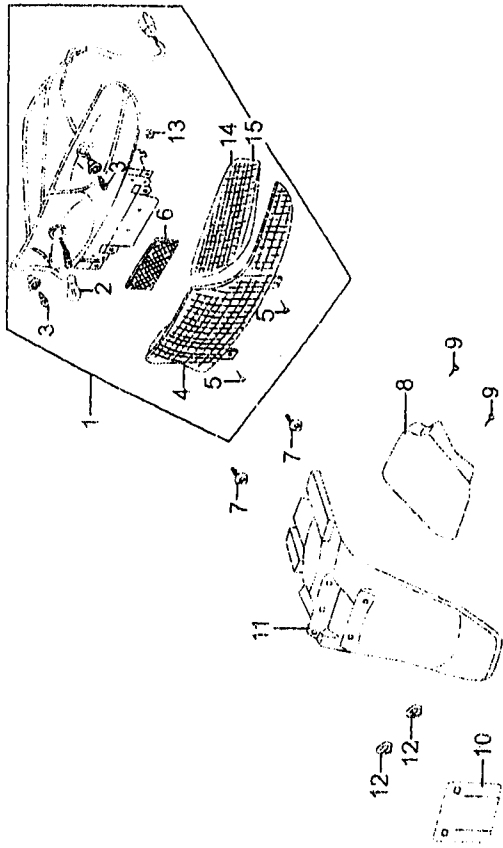
Turn Signal Lights



NO.	CODE NAME	PART NUMBER	PRICE	DESCRIPTION	QUANTITY	NOTE
1		427.001	8.95	front turn signal comp., right	1	
2		427.002	1.06	bulb, turn signal	1	
3				right lens, front turn signal	1	
4		427.005	0.70	screw ST3.5X12	2	
5		427.006	8.95	screw ST4.2X12	3	
6		427.007	1.06	front turn signal comp., left	1	
7				bulb, turn signal	1	
8				left lens, front turn signal	1	
9				screw ST3.5X12	2	
10		427.010	0.70	screw ST4.2X12	3	
11				right base, front turn signal	1	
12				left base, front turn signal	1	
13				wire, right front turn signal	1	
14				wire, left front turn signal	1	

FIG 28

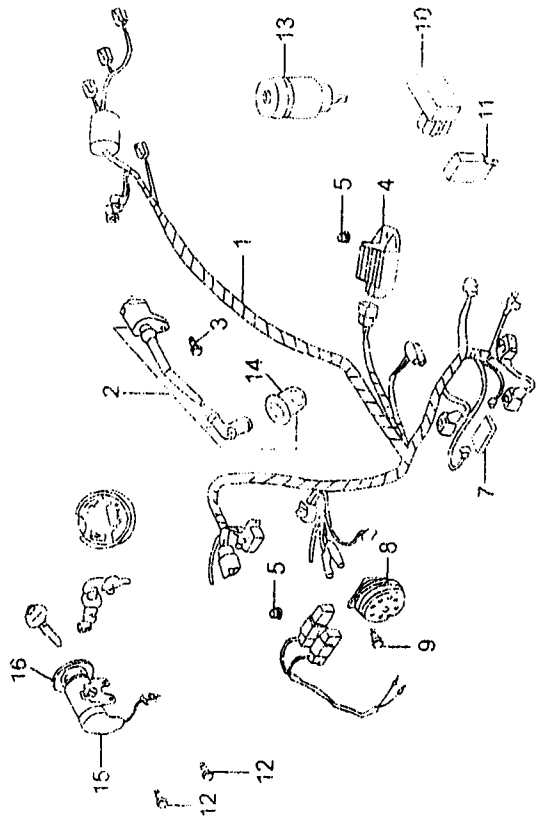
Tail Light



NO.	CODE NAME	PART NUMBER	PRICE	DESCRIPTION	QUANTITY	NOTE
1		428.001	30.57	tail light assy.	1	
2		428.002	1.46	bulb, tail light	1	
3		428.003	1.06	bulb, rear turn signal light	2	
4				lens, tail light	1	
5				screw ST4.2X16	2	
6				reflector	1	
7		428.007	0.85	bolt M6X16	2	
8		428.008	8.79	rear fender B	1	
9		428.009	0.85	screw M5X16	2	
10		428.010	4.80	plate, splash guard	1	
11		428.011	11.79	rear fender	1	
12		428.012	0.65	nut M6	2	
13		428.013	0.50	spring nut ST4.8	2	
14				lens, right rear turn signal light	1	
15				lens, left rear turn signal light	1	

FIG 29

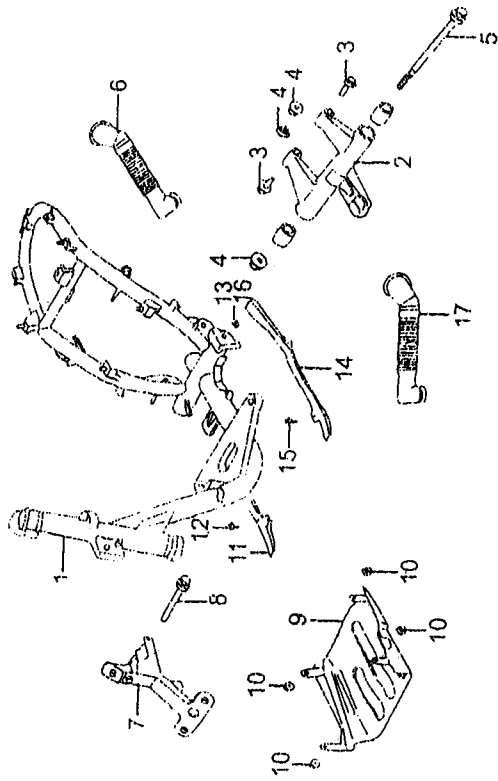
Wire Harness



NO.	CODE NAME	PART NUMBER	PRICE	DESCRIPTION	QUANTITY	NOTE
1		429.001	18.99	wire harness	1	
2		429.002	11.98	ignition coil	1	
3		429.003	0.85	bolt M6X20	1	
4		429.004	11.99	rectifier & regulator	1	
5		429.005	0.65	nut M6	1	
6		429.006	3.35	resistor	1	
7		429.007	1.79	fuse case	1	
8		429.008	8.75	horn	1	
9		429.009	0.85	bolt M6X12	1	
10		429.010	12.97	CDI	1	
11		429.011	11.07	starter relay	1	
12		429.012	0.85	bolt M6X12	2	
13		429.013	8.69	flasher	1	
14		429.014	3.99	cap, spark plug	1	
15		429.015	39.99	ignition switch	1	
16		429.016	1.07	collar, ignition switch	1	

FIG 30

Frame



NO.	CODE NAME	PART NUMBER	PRICE	DESCRIPTION	QUANTITY	NOTE
1		430.001	72.59	frame comp.	1	
2		430.002	18.30	engine hanger comp.	1	
3		430.003	1.58	bolt M10X1.25X70	2	
4		430.004	0.70	nut M10X1.25	3	
5		430.005	3.89	bolt	1	
6		430.006	3.76	cooling duct	2	
7		430.007	6.97	stay, horn	1	
8		430.008	0.85	bolt M6X12	2	
9		430.009	9.96	under cover	1	
10		430.010	0.65	nut M6	4	
11		430.011	4.58	right stand, floor panel	2	
12		430.012	0.85	bolt M6X12	1	
13		430.013	0.65	nut M6	1	
14		430.014	4.58	left stand, floor panel	1	
15		430.015	0.85	bolt M6X12	1	
16		430.016	0.65	nut M6	1	
17		430.017	3.76	duct, air cleaner	1	