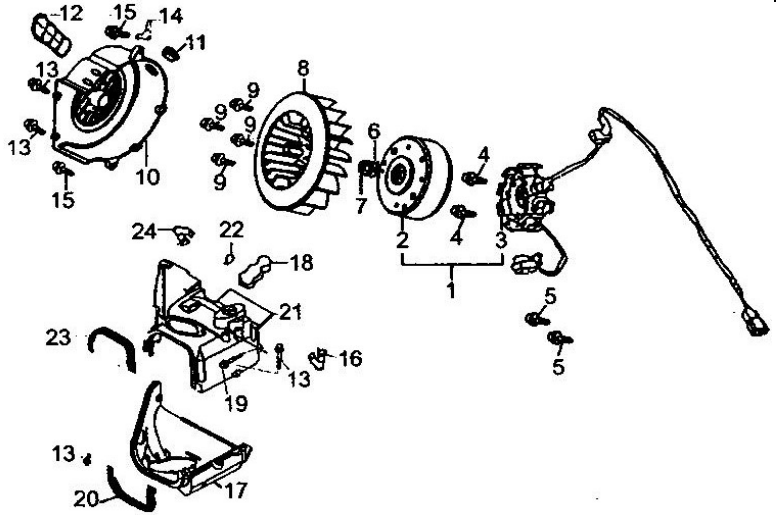


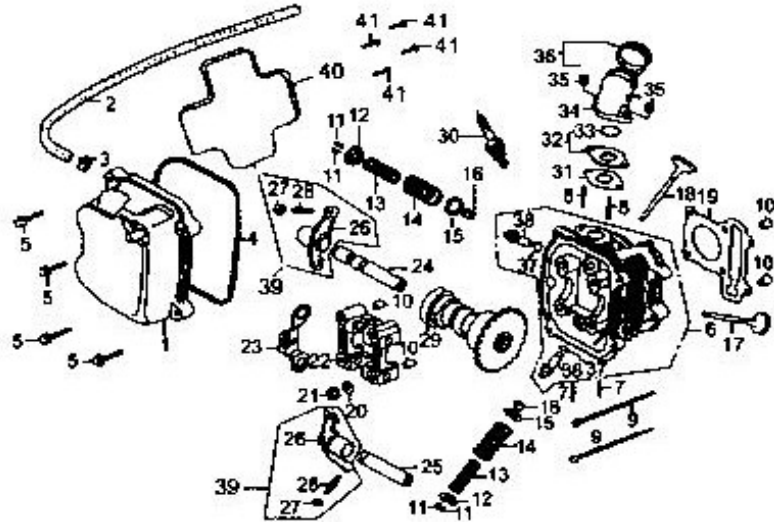
FIG 1
Fan Cover
Generator



NO.	CODE NAME	PART NUMBER	PRICE	DESCRIPTION	QUANTITY	NOTE
1		301.001	42.75	magneto assy.	1	
2				rotor comp.	1	
3				stator comp.	1	
4		301.004	0.80	bolt M6X20	2	
5		301.005	0.80	bolt M5X12	2	
6		301.006	0.50	washer 12	1	
7		301.007	0.65	nut M12X1.25	1	
8		301.008	9.46	fan	1	
9		301.009	0.80	bolt M6X18	4	
10		301.010	16.80	fan cover	1	
11		301.011	0.70	rubber plug	1	
12		301.012	3.86	cooling guide tube, carburetor	1	
13		301.013	0.80	screw M5X16	4	
14		301.014	1.26	bracket	1	
15		301.015	0.80	bolt M6X25	3	
16		301.016	1.30	clamp	1	
17		301.017	9.98	shroud A	1	
18		301.018	1.35	cover, tensioner	1	
19		301.019	0.80	bolt M6X25	1	
20		301.020	1.08	seal, shroud A	1	
21		301.021	10.96	shroud B	1	
NO.	CODE NAME	PART NUMBER	PRICE	DESCRIPTION	QUANTITY	NOTE
22		301.022	0.50	clip	1	
23		301.023	1.03	seal, shroud B	1	
24		301.024	1.27	clamp, breather tube	1	

FIG 2

Cylinder Head Cover
Cylinder Head

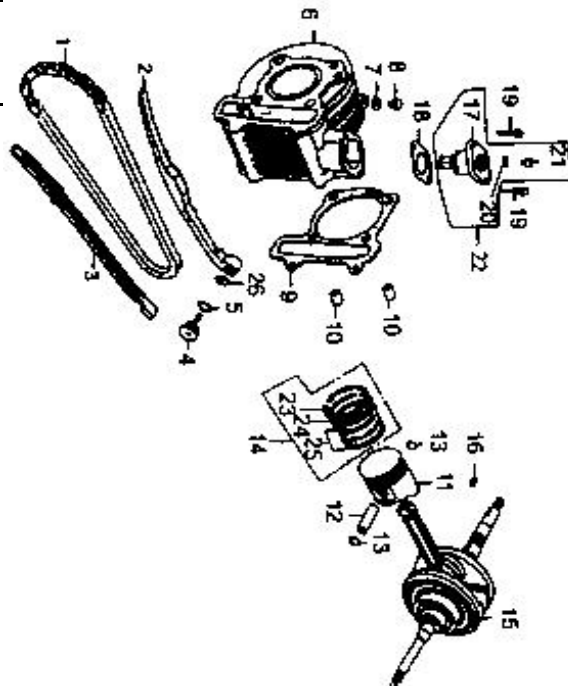


NO.	CODE NAME	PART NUMBER	PRICE	DESCRIPTION	QUANTITY	NOTE
1		302.001	9.87	cylinder head cover comp.	1	
2		302.002	0.98	exhaust tube	1	
3		302.003	0.65	clip, exhaust tube	1	
4		302.004	1.87	gasket, cylinder head cover	1	
5		302.005	0.80	bolt M6X25	4	
6		302.006	38.99	cylinder head comp.	1	
7		302.007	0.85	stud bolt M6X32	2	
8		302.008	0.85	stud bolt M6X50	2	
9		302.009	0.95	bolt M6X100	2	
10		302.010	0.75	dowel pin 10X16	4	
11		302.011	1.88	valve clip	4	
12		302.012	3.31	upper valve spring seat	2	
13		302.013	2.50	inner valve spring	2	
14		302.014	2.55	outer valve spring	2	
15		302.015	2.67	lower valve spring seat	2	
16		302.016	1.58	seal, valve stem	2	
17		302.017	8.75	exhaust valve	1	
18		302.018	8.75	inlet valve	1	
19		302.019	1.59	gasket, cylinder head	1	
20		302.020	0.50	washer 8	4	
21		302.021	0.65	nut M8	4	
NO.	CODE NAME	PART NUMBER	PRICE	DESCRIPTION	QUANTITY	NOTE
22		302.022	18.37	rocker arm holder	1	
23		302.023	4.99	stopper	1	

24		302.024	3.17	rocker arm shaft set	1	
25		302.025	2.82	rocker arm shaft	1	
26		302.026	8.23	valve rocker arm	2	
27		302.027	0.65	adjusting nut, valve clearance	2	
28		302.028	1.22	adjusting screw, valve clearance	2	
29		302.029	10.68	cam shaft comp.	1	
30		302.030	2.80	spark plug	1	
31		302.031	1.57	gasket, intake pipe	1	
32		302.032	1.20	heat insulation gasket	1	
33		302.033	1.50	O-ring	1	
34		302.034	4.79	inlet pipe set	1	
35		302.035	0.65	nut M6	2	
36		302.036	1.03	inlet pipe clip	1	
37		302.037	1.03	O-ring	2	
38		302.038	5.29	guide pipe, valve	2	
39		302.039	10.10	rocker arm set	2	
40		302.040	0.99	plate	1	
41		302.041	0.65	screw ST4X8	4	

FIG 3

Cylinder, Crankshaft
Piston

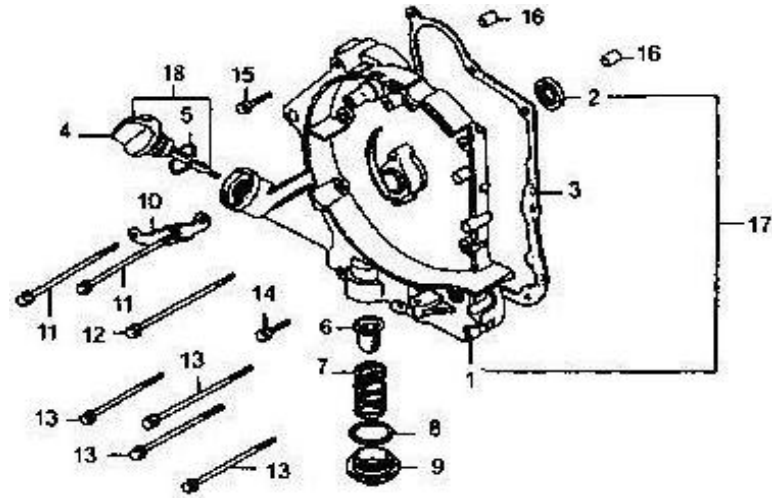


NO.	CODE NAME	PART NUMBER	PRICE	DESCRIPTION	QUANTITY	NOTE
1		303.001	9.32	timing chain	1	
2		303.002	4.32	tension plate	1	
3		303.003	4.08	guide	1	
4		303.004	1.98	screw	1	
5		303.005	1.27	O-ring 15.2X1.5	1	
6		303.006	32.99	cylinder comp.	1	
7		303.007	0.50	washer 6.5	1	
8		303.008	0.80	bolt M6X12	1	
9		303.009	1.36	cylinder gasket	1	
10		303.010	0.80	dowel pin 10X16	2	
11		303.011	17.99	piston	1	
12		303.012	2.65	pin, piston	1	
13		303.013	0.90	circlip, piston pin	2	
14		303.014	8.30	piston ring set	1	
15		303.015	45.66	crankshaft & con-rod comp.	1	
16		303.016	2.25	woodruff key	1	
17		303.017	7.26	tensioner	1	
18		303.018	0.70	tensioner gasket	1	
19		303.019	0.85	bolt M6X22	2	
20		303.020	1.20	O-ring 1.5X9.5	1	
21		303.021	0.80	screw M6X6	1	

22		303.022	9.50	tensioner assy.	1	
23		303.023		piston ring set No.1	1	
24		303.024		piston ring set No.2	1	
25		303.025		piston ring set (oil)	1	
26		303.026	0.50	washer	1	

FIG 4

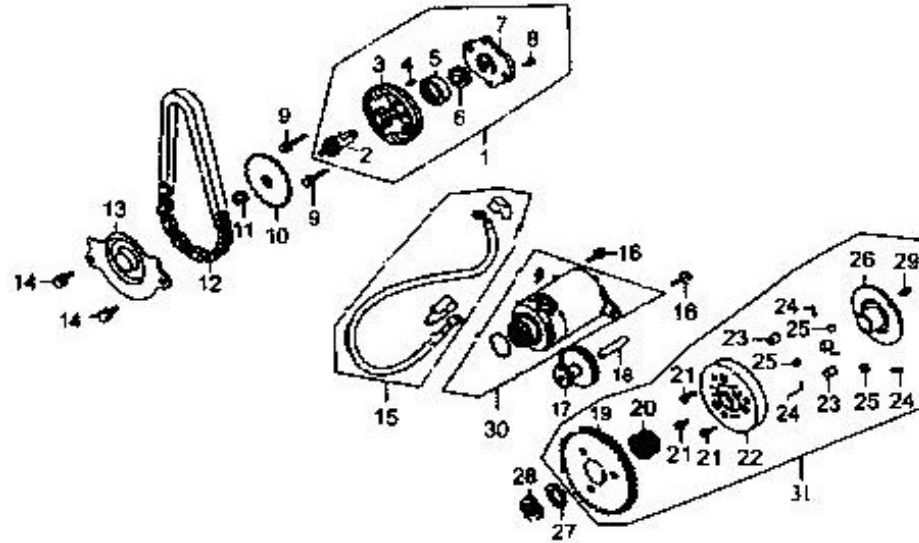
Right Crankcase Cover



NO.	CODE NAME	PART NUMBER	PRICE	DESCRIPTION	QUANTITY	NOTE
1		304.001	23.79	right crankcase cover	1	
2		304.002	1.17	oil seal 19.8X30X5	1	
3		304.003	1.36	gasket, right crankcase cover	1	
4		304.004	3.67	dipstick	1	
5		304.005	0.89	O-ring	1	
6		304.006	2.99	oil filter screen	1	
7		304.007	1.09	spring	1	
8		304.008	1.29	O-ring	1	
9		304.009	1.96	oil filter screen cover	1	
10		304.010	1.59	clamp	2	
11		304.011	0.95	bolt M6X110	2	
12		304.012	0.95	bolt M6X100	1	
13		304.013	0.95	bolt M6X95	4	
14		304.014	0.85	bolt M6X30	1	
15		304.015	0.85	bolt M6X35	1	
16		304.016	0.85	dowel pin 8X14	2	
17		304.017		right crankcase cover set	1	
18		304.018		dipstick comp.	1	

FIG 5

Start Motor
Oil Pump

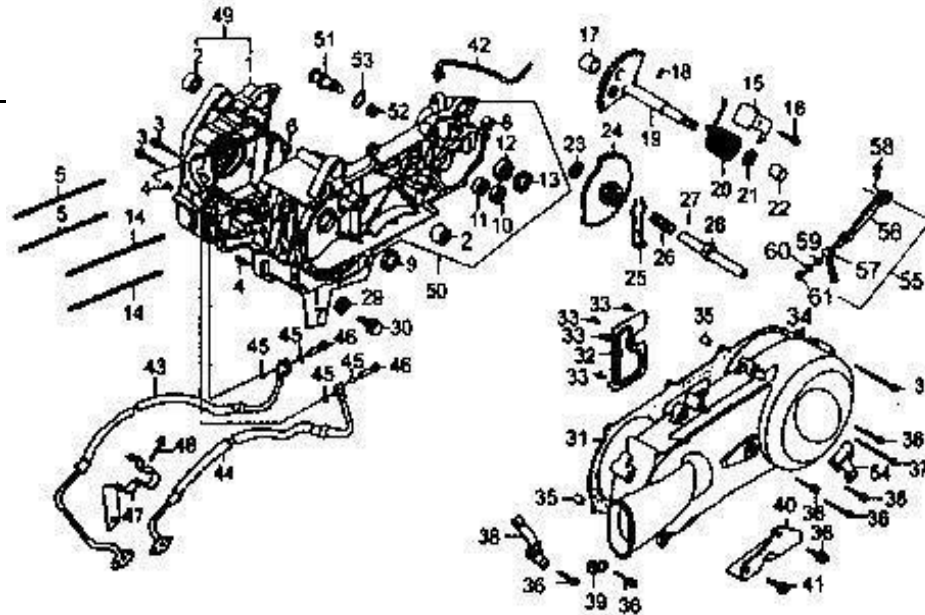


NO.	CODE NAME	PART NUMBER	PRICE	DESCRIPTION	QUANTITY	NOTE
1		305.001	22.89	oil pump set	1	
2		305.002		oil pump shaft	1	
3		305.003		oil pump body	1	
4		305.004		dowel pin 4X6.5	1	
5		305.005		outer rotor, oil pump	1	
6		305.006		inner rotor, oil pump	1	
7		305.007		oil pump cover	1	
8		305.008		bolt M3X10	1	
9		305.009	0.80	bolt M6X30	2	
10		305.010	4.32	oil pump driven sprocket	1	
11		305.011	0.65	nut M6	1	
12		305.012	9.97	drive chain	1	
13		305.013	7.96	driven sprocket stopper	1	
14		305.014	0.80	bolt M6X12	2	
15		305.015	2.20	wire, start motor	1	
16		305.016	0.80	bolt M6X16	2	
17		305.017	9.36	twin gear	1	
18		305.018	4.66	shaft, twin gear	1	
19		305.019	9.69	gear, start clutch	1	
20		305.020	4.58	needle bearing	1	
21		305.021		bolt M6X10	3	

22		305.022		start clutch body	1	
23		305.023		roller 10X10	3	
24		305.024		spring	3	
25		305.025		spring, housing	3	
26		305.026		start clutch cover	1	
27		305.027	0.90	thrust washer	1	
28		305.028	1.80	nut M22	1	
29		305.029		woodruff key	1	
30		305.030	50.30	start motor	1	
31		305.031	36.99	start clutch assy.	1	

FIG 6

Crankcase

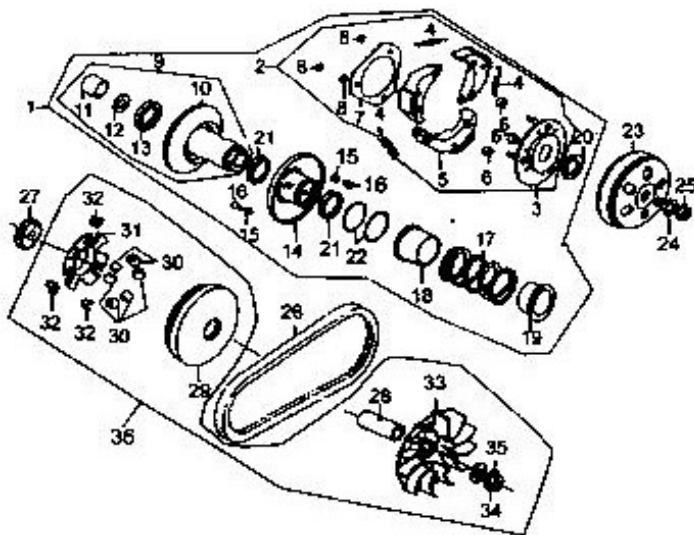


NO.	CODE NAME	PART NUMBER	PRICE	DESCRIPTION	QUANTITY	NOTE
1		306.001	53.69	crankcase comp., right	1	
2		306.002	2.76	bush, engine hanger	2	
3		306.003	0.80	bolt M6X50	2	
4		306.004	0.80	dowel pin 8X14	2	
5		306.005	1.59	cylinder stud A	2	
6		306.006	0.98	gasket, crankcase	1	
7		306.007		left crankcase	1	
8		306.008		lower bush, right shock absorber	1	
9		306.009	1.85	oil seal 19.8X30X5	1	
10		306.010	4.79	bearing 6301 TMB	1	
11		306.011	4.17	bearing 6002	1	
12		306.012	4.88	bearing 6004 DU	1	
13		306.013	1.80	oil seal 27X42X7	1	
14		306.014	1.62	cylinder stud B	2	
15		306.015	2.97	stopper	1	
16		306.016	0.80	bolt M6X14	1	
17		306.017	2.75	bush 12X16X12	1	
18		306.018	1.17	pin 4.5	1	
19		306.019	13.86	start shaft comp.	1	
20		306.020	3.16	return spring	1	
21		306.021	0.60	washer 14	1	

22		306.022	1.12	bush	1	
23		306.023	0.55	washer 12.5	1	
24		306.024	6.59	idle gear comp.	1	
25		306.025	0.92	friction spring	1	
26		306.026	0.87	drive spring	1	
27		306.027	0.89	roller 3X8.5	1	
28		306.028	4.05	shaft, idle gear	1	
29		306.029	0.50	washer, drain bolt	1	
30		306.030	0.85	drain bolt M12X14	1	
31		306.031	2.12	gasket, left crankcase cover	1	
32		306.032	1.97	guide plate	1	
33		306.033	0.75	screw ST4X8	4	
34		306.034	32.79	left crankcase cover	1	
35		306.035	0.90	dowel pin 8X14	2	
36		306.036	0.85	bolt M6X40	6	
37		306.037	0.85	bolt M6X65	2	
38		306.038	1.98	clamp	1	
39		306.039	1.09	clamp	1	
40		306.040	2.63	stopper, main stand	1	
41		306.041	0.80	bolt M6X12	1	
42		306.042	1.92	air vent tube	1	
43		306.043	5.74	oil inlet hose comp.	1	
44		306.044	5.74	oil outlet hose comp.	1	
45		306.045	0.79	gasket, oil pipe	4	
46		306.046	1.05	bolt, inner hole	1	
47		306.047	1.79	supporter, oil hose	4	
48		306.048	0.80	bolt M6X12	2	
49		306.049		right crankcase assy.	1	
50		306.050		left crankcase assy.	1	
51		306.051	3.82	pin, brake shoe	1	
52		306.052	0.60	nut M8	1	
53		306.053	0.85	O-ring 7.5X1.5	1	
54		306.054	2.13	clamp	1	

FIG 7

Driving & Driven Pulley

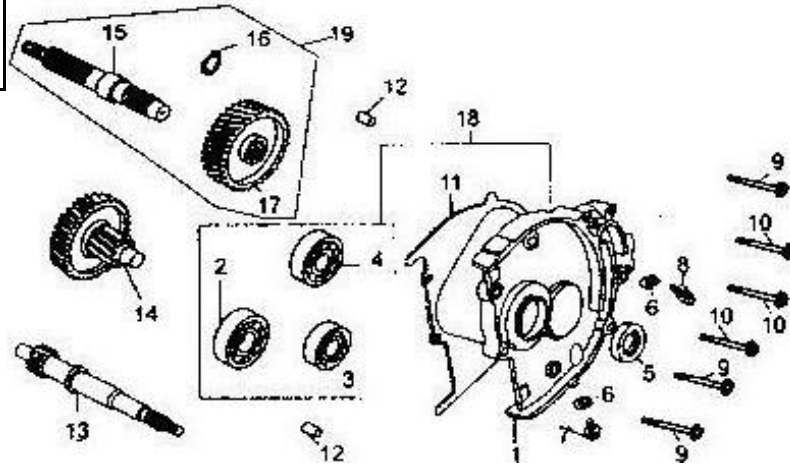


NO.	CODE NAME	PART NUMBER	PRICE	DESCRIPTION	QUANTITY	NOTE
1		307.001	46.38	driven pulley assy.	1	
2		307.002		clutch driving plate assy.	1	
3		307.003		driving plate comp.	1	
4		307.004		spring	3	
5		307.005		clutch shoe set	3	
6		307.006		damping rubber	3	
7		307.007		pressure plate	1	
8		307.008		circlip	3	
9		307.009		driven plate comp.	1	
10		307.010		driven plate	1	
11		307.011		needle bearing 20X29X18	1	
12		307.012		bearing 6902U	1	
13		307.013		circlip 28	1	
14		307.014		driven sliding plate	1	
15		307.015		guide pin	3	
16		307.016		roller	3	
17		307.017		spring	1	
18		307.018		retainer, right spring	1	
19		307.019		retainer, left spring	1	
20		307.020		nut M28	1	
21		307.021		oil seal 34X41X4	2	

22		307.022		O-ring	2	
23		307.023	9.95	outer clutch	1	
24		307.024	1.08	washer 12.2X29X2.5	1	
25		307.025	1.65	nut M12	1	
26		307.026	19.98	belt	1	
27		307.027	8.69	driven gear	1	
28		307.028		sleeve, drive gear	1	
29		307.029		sliding plate set, driving pulley	1	
30		307.030		roller	6	
31		307.031		clamp	1	
32		307.032		slide, clamp	3	
33		307.033		fixing plate set, driving pulley	1	
34		307.034		washer 12.2X29X2.5	1	
35		307.035		nut M12	1	
36		307.036	37.84	drive pulley assy.	1	

FIG 8

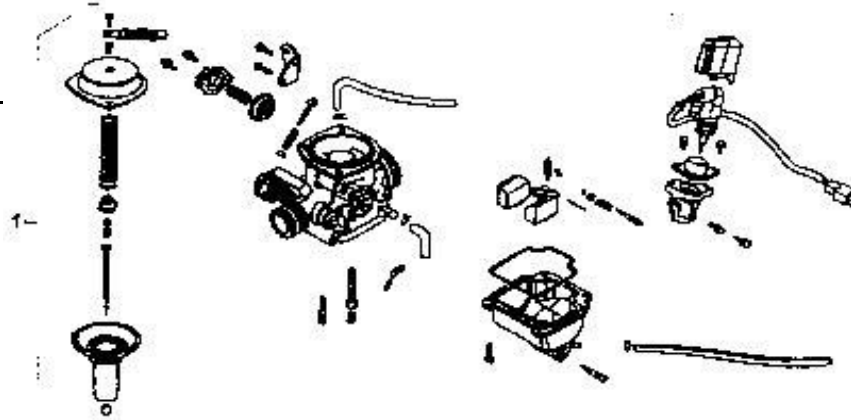
Transmission System



NO.	CODE NAME	PART NUMBER	PRICE	DESCRIPTION	QUANTITY	NOTE
1		308.001	16.57	transmission case	1	
2		308.002	4.70	bearing 6204	1	
3		308.003	4.75	bearing 6202	1	
4		308.004	4.77	bearing 6203	1	
5		308.005	1.20	oil seal 20X32X6	1	
6		308.006	0.50	washer 8	2	
7		308.007	0.80	bolt M8X12	1	
8		308.008	0.80	bolt M8X12	1	
9		308.009	0.80	bolt M6X28	3	
10		308.010	0.80	bolt M6X35	3	
11		308.011	1.47	gasket	1	
12		308.012	0.85	dowel pin 8X14	2	
13		308.013	10.98	drive shaft	1	
14		308.014	11.70	counter shaft comp.	1	
15		308.015	9.98	output shaft	1	
16		308.016	0.85	circlip	1	
17		308.017	9.79	gear, output shaft	1	
18		308.018		transmission case comp.	1	
19		308.019		output shaft comp.	1	

FIG 9

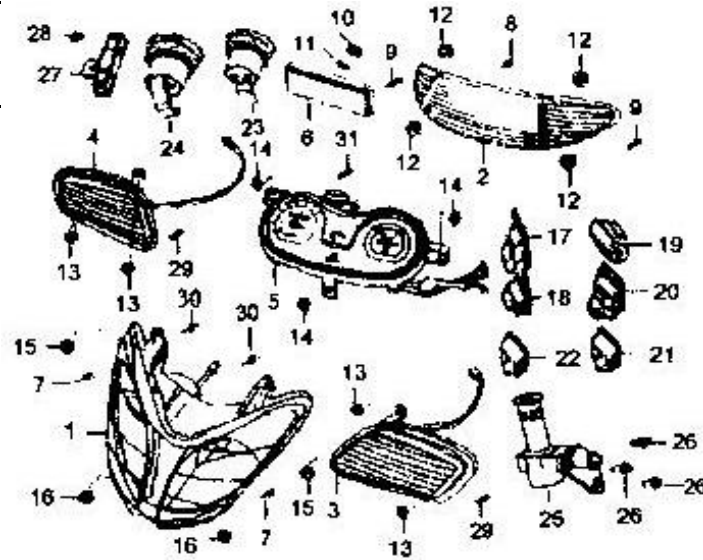
Carburetor



NO.	CODE NAME	PART NUMBER	PRICE	DESCRIPTION	QUANTITY	NOTE
1		309.001	98.95	carburetor assy.	1	

FIG 10

Meter & Lights

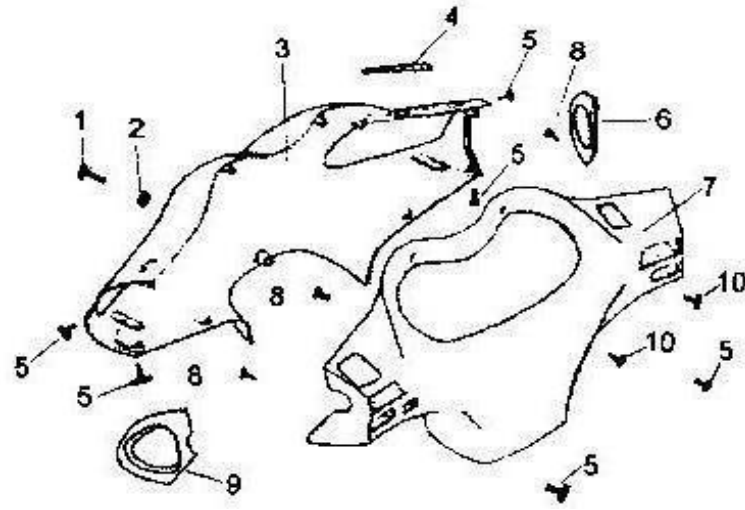


NO.	CODE NAME	PART NUMBER	PRICE	DESCRIPTION	QUANTITY	NOTE
1		310.001	48.98	headlight	1	
2		310.002	34.75	tail lamp	1	
3		310.003	9.37	left turn signal light	1	
4		310.004	9.37	right turn signal light	1	
5		310.005	29.85	speedometer	1	
6		310.006	2.05	rear reflector	1	
7		310.007	4.98	bulb, headlight 12V 18W	2	
8		310.008	1.58	bulb, tail lamp	1	
9		310.009	1.20	bulb, turn signal light	2	
10		310.010	0.65	nut	1	
11		310.011	0.50	washer	1	
12		310.012	0.80	screw	4	
13		310.013	0.80	tapping screw	4	
14		310.014	0.80	tapping screw	3	
15		310.015	0.80	screw	2	
16		310.016	0.80	screw	2	
17		310.017	2.85	engine stop switch	1	
18		310.018	2.50	start switch	1	
19		310.019	2.83	dimmer switch I	1	
20		310.020	2.79	turn signal switch	1	
21		310.021	2.45	horn switch	1	
22		310.022	3.19	dimmer switch II	1	
23		310.023	incl. in 310.025	lock, inner box	1	

24		310.024	incl. in 310.025	seat lock	1	
25		310.025	28.99	ignition switch	1	
26		310.026	0.80	screw	3	
27		310.027	3.38	resistor	1	
28		310.028	0.60	nut	1	
29		310.029	1.20	bulb, front turn signal	2	
30		310.030	1.05	bulb, parking light	2	
31		310.031	1.05	bulb, speedometer	5	

FIG 11

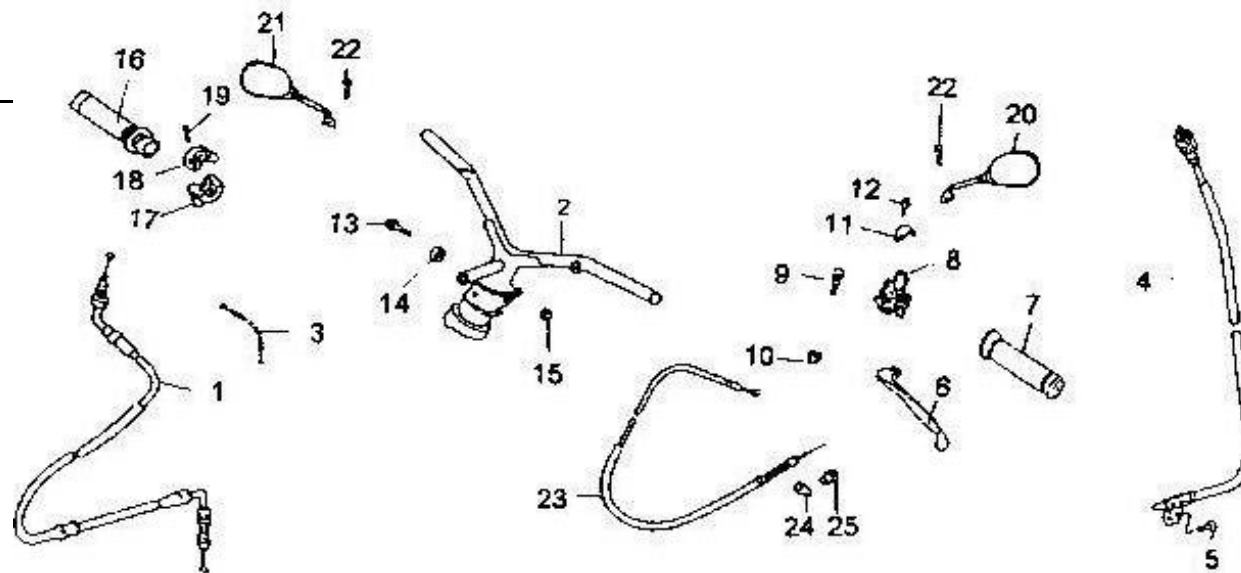
Handlebar Cover



NO.	CODE NAME	PART NUMBER	PRICE	DESCRIPTION	QUANTITY	NOTE
1		311.001	0.95	screw	1	
2		311.002	0.50	washer	1	
3		311.003	19.92	front cover, handlebar	1	
4		311.004	2.38	cover, fluid check	1	
5		311.005	0.80	screw	6	
6		311.006	1.97	left protective cover, handlebar	1	
7		311.007	15.89	back cover, handlebar	1	
8		311.008	0.80	screw	3	
9		311.009	1.97	right protective cover, handlebar	1	
10		311.010	0.80	screw	2	
11		311.011	0.65	nut	2	

FIG 12

Handlebar

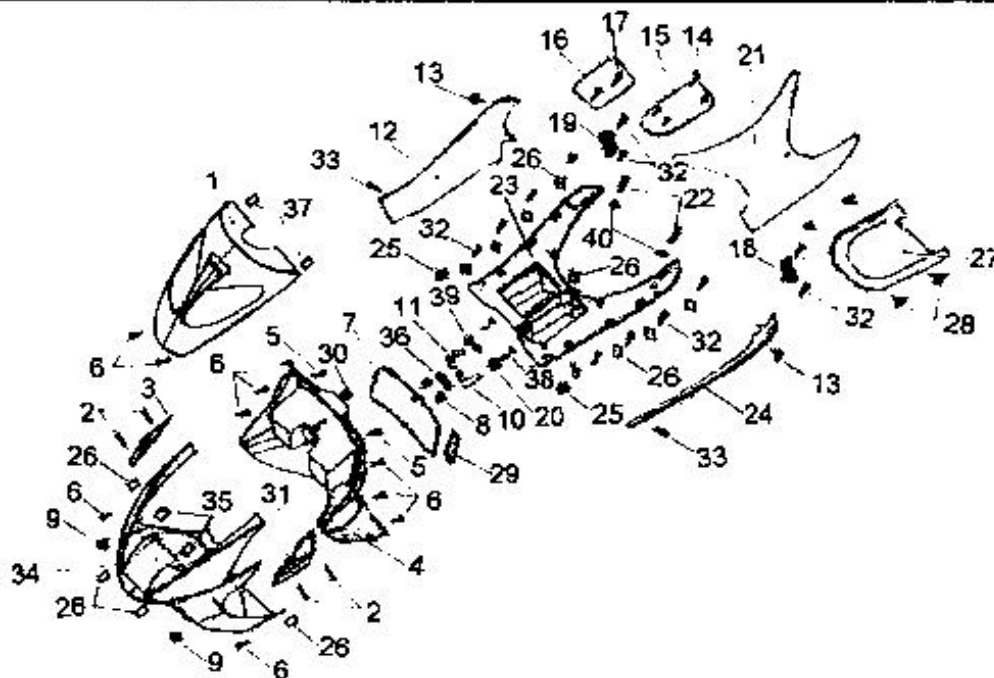


NO.	CODE NAME	PART NUMBER	PRICE	DESCRIPTION	QUANTITY	NOTE
1		312.001	6.30	throttle cable	1	
2		312.002	19.90	handlebar	1	
3		312.003	1.85	seat lock cable	1	
4		312.004	6.85	speedometer cable	1	
5		312.005	1.20	screw, speedometer cable	1	
6		312.006	7.93	rear brake lever	1	
7		312.007	3.99	left grip	1	
8		312.008	7.46	rear brake handle seat	1	
9		312.009	1.14	pin	1	
10		312.010	0.65	nut	1	
11		312.011	2.18	fixing plate, rear brake handle seat	1	
12		312.012	0.85	bolt M6X16	1	
13		312.013	0.95	bolt M10X1.25X50	1	
14		312.014	1.19	collar	1	
15		312.015	0.70	nut M10X1.25	1	
16		312.016	5.69	throttle grip	1	
17		312.017	2.98	housing, under throttle	1	
18		312.018	2.99	housing, upper throttle	1	
19		312.019	0.85	screw	1	
20		312.020	14.80	left mirror	1	
21		312.021	14.80	right mirror	2	

22		312.022	1.20	bolt, mirror	2	
23		312.023	6.89	rear brake cable	1	
24		312.024	1.20	pin	1	
25		312.025	1.25	adjusting nut	1	

FIG 13

Fender

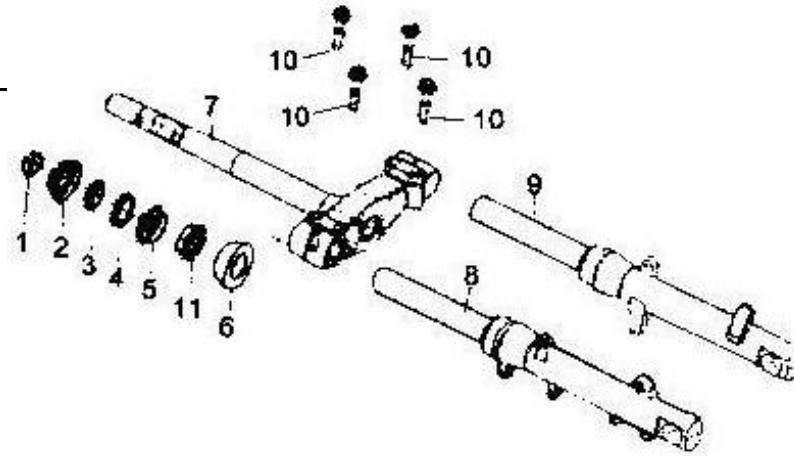


NO.	CODE NAME	PART NUMBER	PRICE	DESCRIPTION	QUANTITY	NOTE
1		313.001	21.60	front cover	1	
2		313.002	0.80	screw	4	
3		313.003	7.68	right air intake	1	
4		313.004	39.99	leg shield	1	
5		313.005	0.80	screw	2	
6		313.006	0.80	screw	10	
7		313.007	7.63	cover, inner box	1	
8		313.008	0.65	nut	2	
9		313.009	0.85	bolt	2	
10		313.010	1.74	helmet hook I	1	
11		313.011	1.77	helmet hook II	1	
12		313.012	10.85	right skirt	1	
13		313.013	0.85	bolt	2	
14		313.014	0.80	screw	4	
15		313.015	4.52	left cover, foot board	1	
16		313.016	5.37	cover, battery box	1	
17		313.017	0.80	screw	2	
18		313.018	3.82	left step, foot board	1	
19		313.019	3.82	right step, foot board	1	
20		313.020	0.65	nut	1	
21		313.021	17.99	rubber mat, foot board	1	

22		313.022	0.85	bolt		2
23		313.023	22.95	foot board		1
24		313.024	10.85	left skirt		1
25		313.025	0.85	bolt		2
26		313.026	0.65	nut		13
27		313.027	11.79	bottom cover		1
28		313.028	0.85	screw		4
29		313.029	1.82	inspection cover		1
30		313.030	0.65	nut		1
31		313.031	7.68	left air intake		1
32		313.032	0.80	screw		12
33		313.033	0.85	screw		2
34		313.034	39.86	front moulding stripe		1
35		313.035	0.65	nut		2
36		313.036	1.89	helmet hook retainer		1
37		313.037	0.65	nut		2
38		313.038	0.85	bolt		2
39		313.039	0.95	pin, helmet		1
40		313.040	0.50	washer		2

FIG 14

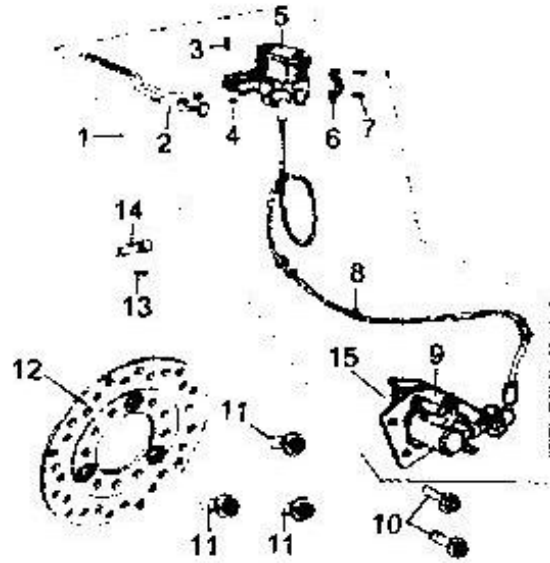
Front Fork



NO.	CODE NAME	PART NUMBER	PRICE	DESCRIPTION	QUANTITY	NOTE
1		314.001	3.66	lock nut, steering stem	1	
2		314.002	2.08	seal assy.	1	
3		314.003	3.74	top race, upper bearing	1	
4		314.004	3.78	lower race, upper bearing	1	
5		314.005	3.82	upper race, under bearing	1	
6		314.006	3.10	bearing roller	1	
7		314.007	38.65	steering stem assy.	1	
8		314.008	29.89	left shock, front	1	
9		314.009	29.89	right shock, front	1	
10		314.010	1.20	bolt	4	
11		314.011	3.77	lower race, under bearing	1	

FIG 15

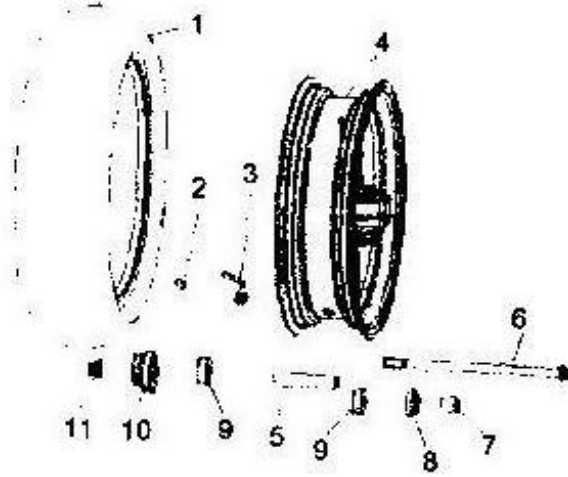
Front Brake Comp.



NO.	CODE NAME	PART NUMBER	PRICE	DESCRIPTION	QUANTITY	NOTE
1		315.001	108.99	front brake system	1	
2		315.002	7.93	front brake lever	1	
3		315.003		bolt	1	
4		315.004		nut	1	
5		315.005		master cylinder assy.	1	
6		315.006		master cylinder holder	1	
7		315.007		bolt M6X23	2	
8		315.008		hose, front brake	1	
9		315.009		caliper assy.	1	
10		315.010	0.85	bolt M8X25	2	
11		315.011	1.65	bolt	3	
12		315.012	18.98	disc, front brake	1	
13		315.013		bolt M6X12	1	
14		315.014		holder, front brake hose	1	
15		315.015	4.82	brake shoe	2	

FIG 16

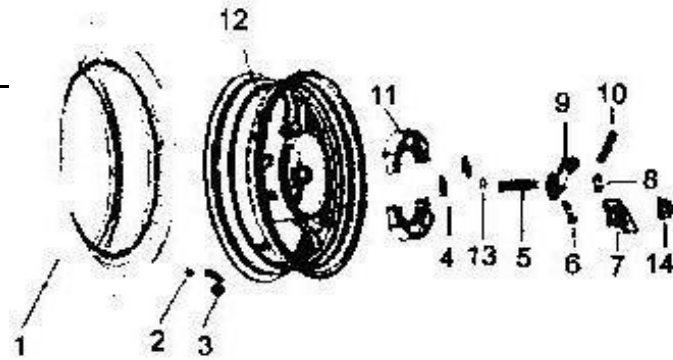
Front Wheel



NO.	CODE NAME	PART NUMBER	PRICE	DESCRIPTION	QUANTITY	NOTE
1		316.001	39.99	tire	1	
2		316.002	0.99	cap, valve	1	
3		316.003	2.36	valve	1	
4		316.004	31.50	front rim	1	
5		316.005	2.52	center spacer	1	
6		316.006	5.85	front axle M12X1.5X247	1	
7		316.007	2.08	right spacer	1	
8		316.008	2.05	oil seal	1	
9		316.009	5.96	bearing 60301	2	
10		316.010	16.79	speedometer sensor	1	
11		316.011	0.95	nut M12X1.5	1	

FIG 17

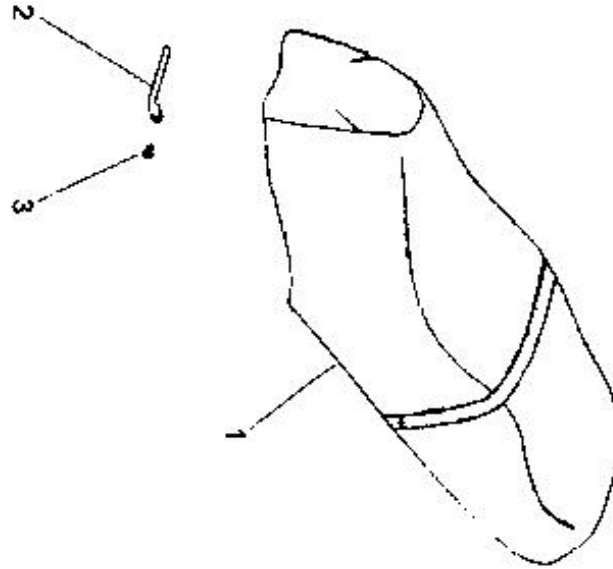
Rear Wheel



NO.	CODE NAME	PART NUMBER	PRICE	DESCRIPTION	QUANTITY	NOTE
1		317.001	39.99	tire	1	
2		317.002	0.99	cap, valve	1	
3		317.003	2.36	valve	1	
4		317.004	0.90	spring, rear brake shoe	2	
5		317.005	3.95	cam shaft	1	
6		317.006	0.85	bolt	1	
7		317.007	1.58	dustproof grommet	1	
8		317.008	1.04	bracket, grommet	1	
9		317.009	3.57	arm, rear brake	1	
10		317.010	1.50	return spring	1	
11		317.011	8.95	brake shoe	2	
12		317.012	31.50	rear rim	1	
13		317.013	0.90	ring seal	1	
14		317.014	1.50	nut M16x1.5	1	

FIG 18

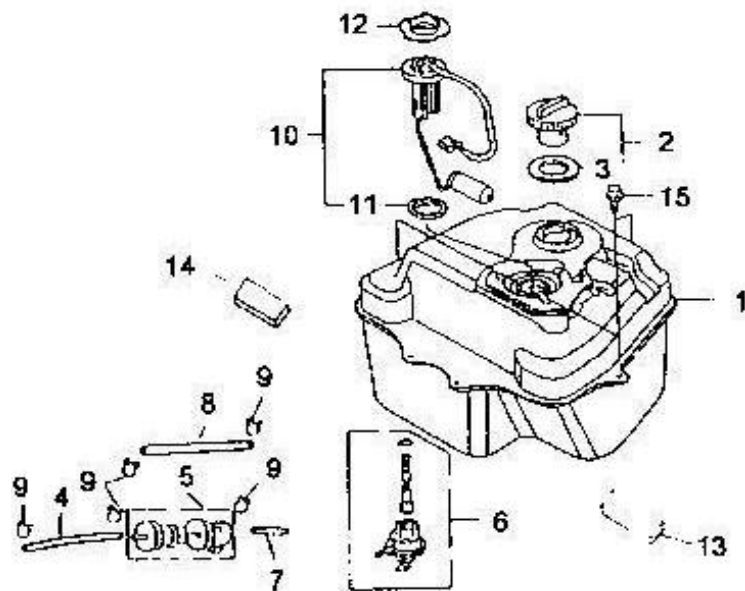
Seat



NO.	CODE NAME	PART NUMBER	PRICE	DESCRIPTION	QUANTITY	NOTE
1		318.001	36.98	seat	1	
2		318.002	1.95	shaft	1	
3		318.003	0.65	bolt	1	

FIG 19

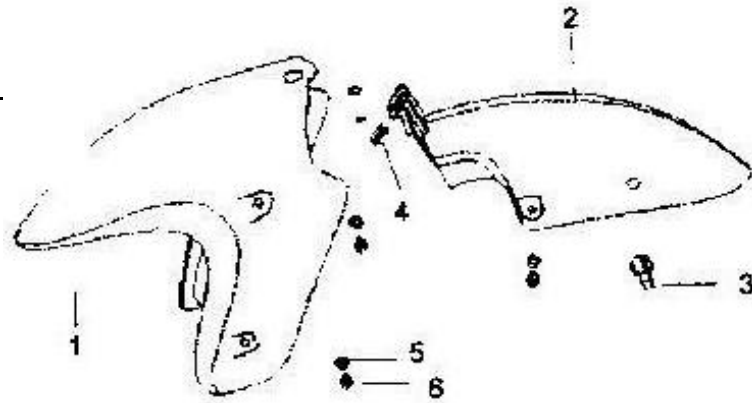
Fuel Tank



NO.	CODE NAME	PART NUMBER	PRICE	DESCRIPTION	QUANTITY	NOTE
1		319.001	21.65	fuel tank comp.	1	
2		319.002	5.92	cap assy., fuel tank	1	
3		319.003	1.78	seal	1	
4		319.004	1.09	hose 4.5X8.5X280	1	
5		319.005	4.26	fuel filter	1	
6		319.006	6.47	fuel cock	1	
7		319.007	1.12	hose 4.5X8.5X310	1	
8		319.008	1.12	hose 4.5X8.5X310	1	
9		319.009	0.50	clip	5	
10		319.010	9.87	fuel sensor unit	1	
11		319.011	1.54	seal, fuel sensor	1	
12		319.012	1.39	sensor holder	1	
13		319.013	1.05	right pad, fuel tank	1	
14		319.014	1.06	left pad, fuel tank	1	
15		319.015	0.85	bolt M6X16	2	

FIG 20

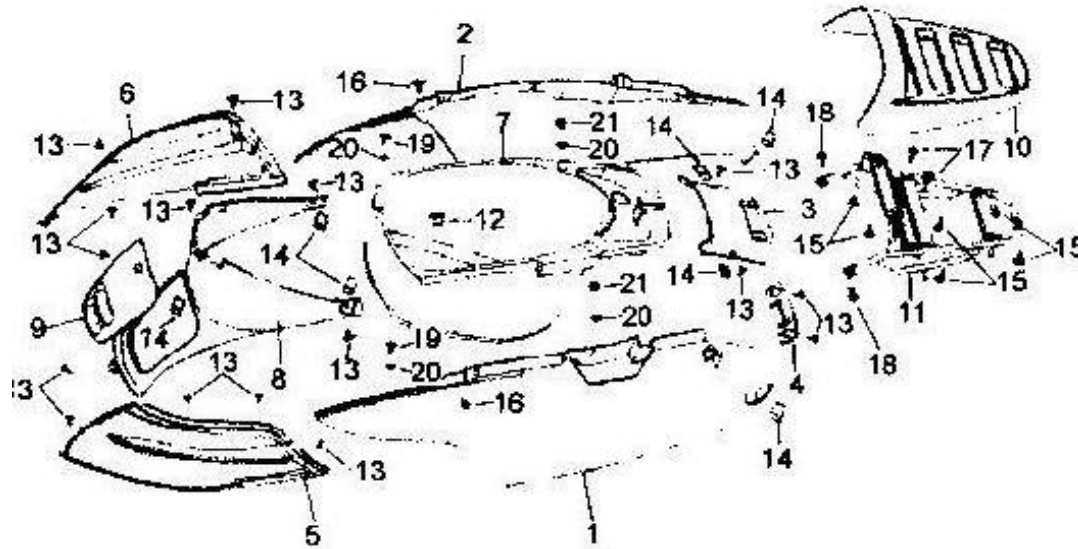
Front Fender



NO.	CODE NAME	PART NUMBER	PRICE	DESCRIPTION	QUANTITY	NOTE
1		320.001	15.76	front fender, F	1	
2		320.002	11.85	front fender, R	1	
3		320.003	1.60	holder	1	
4		320.004	0.65	spring nut	1	
5		320.005	0.50	washer	7	
6		320.006	0.85	screw	7	

FIG 21

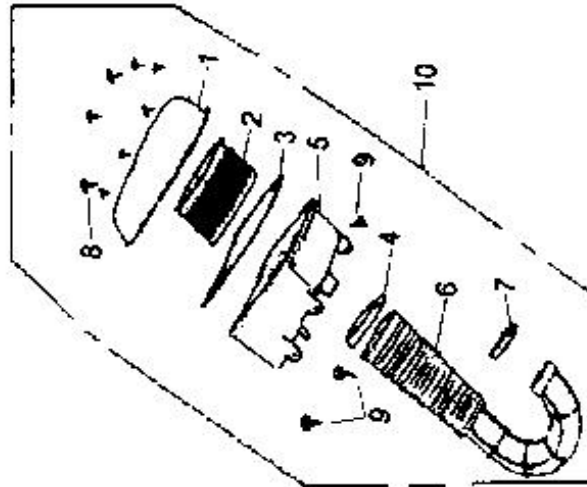
Luggage Box
Side Cover



NO.	CODE NAME	PART NUMBER	PRICE	DESCRIPTION	QUANTITY	NOTE
1		321.001	21.69	left side cover	1	
2		321.002	21.69	right side cover	1	
3		321.003	6.45	rear center cover, upper	1	
4		321.004	5.78	rear center cover, lower	1	
5		321.005	9.57	left decorate cover	4	
6		321.006	9.57	right decorate cover	1	
7		321.007	26.98	luggage box	1	
8		321.008	11.76	center cover	1	
9		321.009	2.98	lid, center cover	1	
10		321.010	5.88	cover, rear rack	1	
11		321.011	11.26	rear rack comp.	6	
12		321.012		cap, adjust hole	1	
13		321.013	0.80	screw	1	
14		321.014	0.65	nut	1	
15		321.015	0.85	bolt	1	
16		321.016	0.85	bolt	1	
17		321.017	0.85	bolt	4	
18		321.018	0.85	bolt	1	
19		321.019	0.85	bolt	2	
20		321.020	0.50	washer	1	
21		321.021	0.65	nut	1	

FIG 22

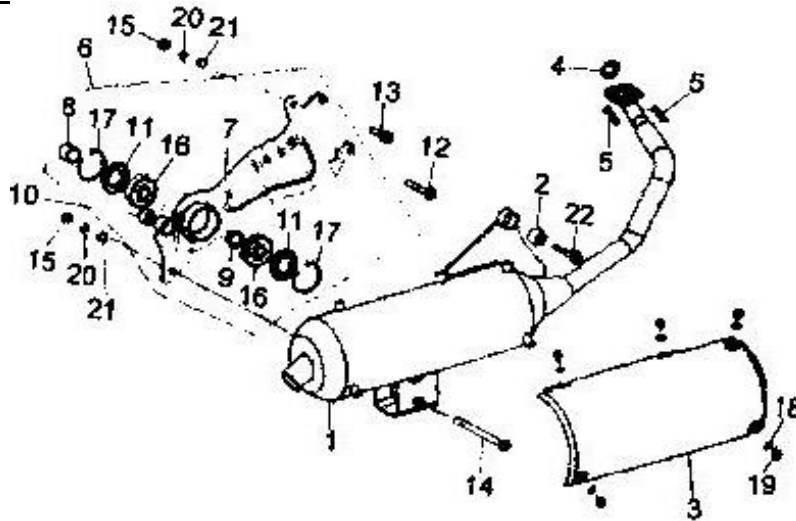
Air Cleaner



NO.	CODE NAME	PART NUMBER	PRICE	DESCRIPTION	QUANTITY	NOTE
1		322.001		cover, air cleaner	1	
2		322.002	3.98	element, air cleaner	1	
3		322.003		seal	1	
4		322.004		clamp A	1	
5		322.005		case, air cleaner	1	
6		322.006		tube, outlet	1	
7		322.007		clamp B	1	
8		322.008		screw	8	
9		322.009		screw M6X16	3	
10		322.010	19.97	air cleaner assy.	1	

FIG 23

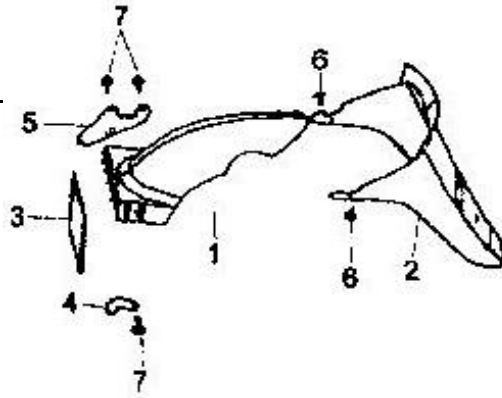
Muffler



NO.	CODE NAME	PART NUMBER	PRICE	DESCRIPTION	QUANTITY	NOTE
1		323.001	39.85	exhaust pipe comp.	1	
2		323.002		bush	1	
3		323.003	9.85	cover, exhaust pipe	1	
4		323.004	2.05	gasket, exhaust pipe	1	
5		323.005	1.12	nut, cap	2	
6		323.006	18.74	bracket comp., muffler	1	
7		323.007		bracket	1	
8		323.008		bush, inside	1	
9		323.009		bush, outside	1	
10		323.010		bush comp.	1	
11		323.011		seal, dustproof	2	
12		323.012	0.85	bolt	1	
13		323.013	0.85	bolt	1	
14		323.014	0.95	bolt	1	
15		323.015	0.65	nut	2	
16		323.016		bearing	2	
17		323.017		circlip	2	
18		323.018	0.85	bolt	5	
19		323.019	0.50	spring washer	5	
20		323.020	0.50	spring washer	2	
21		323.021	0.50	washer	2	
22		323.022	0.95	bolt	1	

FIG 24

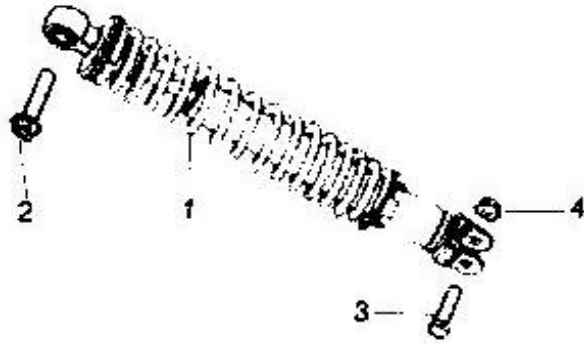
Rear Fender



NO.	CODE NAME	PART NUMBER	PRICE	DESCRIPTION	QUANTITY	NOTE
1		324.001	6.85	fender, rear wheel	1	
2		324.002	incl. in 310.002	rear fender	1	
3		324.003	3.52	tail plate, rubber	1	
4		324.004	2.41	left fix bracket	1	
5		324.005	3.52	right fix bracket	1	
6		324.006	0.80	screw ST4.2X13	2	
7		324.007	0.85	bolt	3	

FIG 25

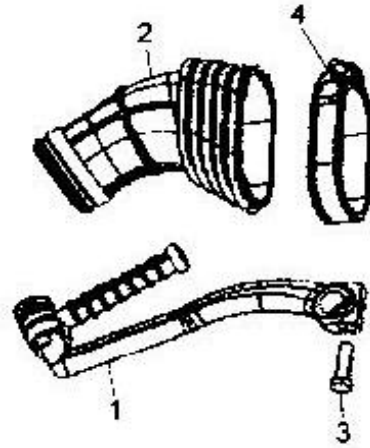
Rear Shock



NO.	CODE NAME	PART NUMBER	PRICE	DESCRIPTION	QUANTITY	NOTE
1		325.001	36.55	rear shock comp.	2	
2		325.002	0.95	bolt	2	
3		325.003	0.95	bolt	2	
4		325.004	0.65	nut	2	

FIG 26

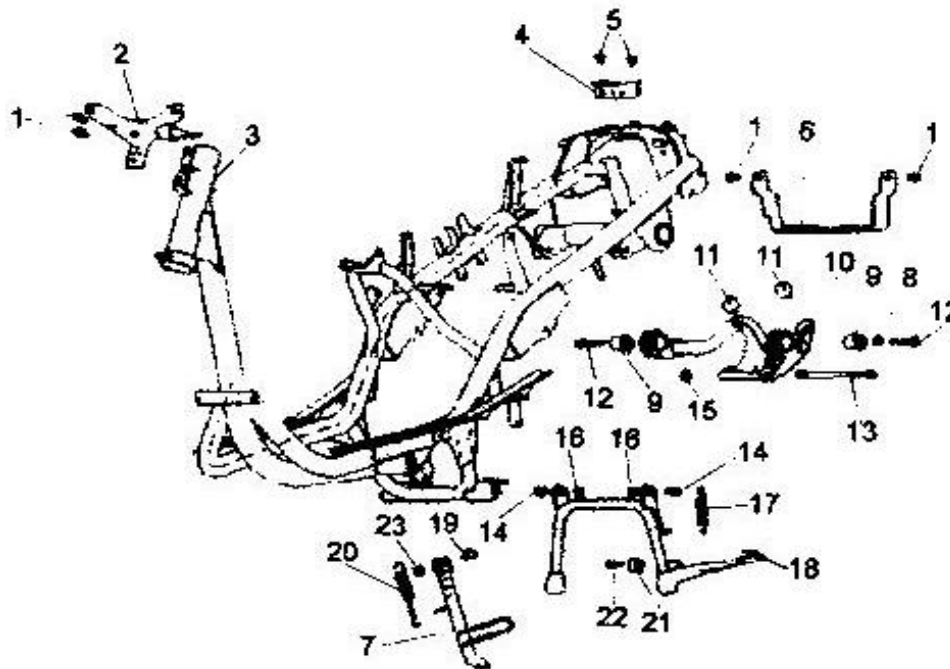
Kick Starter



NO.	CODE NAME	PART NUMBER	PRICE	DESCRIPTION	QUANTITY	NOTE
1		326.001	9.85	lever, kick starter	1	
2		326.002	4.15	tube, intake	1	
3		326.003	0.85	bolt	1	
4		326.004	2.05	clamp	1	

FIG 27

Frame

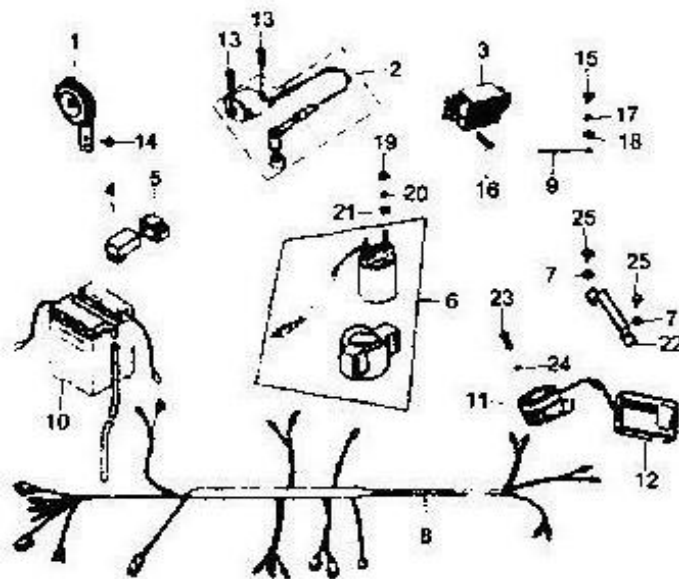


NO.	CODE NAME	PART NUMBER	PRICE	DESCRIPTION	QUANTITY	NOTE
1		327.001	0.85	bolt M10X1.25X16	4	
2		327.002	7.50	bracket, headlight	1	
3		327.003	87.65	frame comp.	1	
4		327.004	8.69	seat catch	1	
5		327.005	0.85	screw	2	
6		327.006	6.83	fuel tank bracket	1	
7		327.007	4.38	side stand	1	
8		327.008	1.02	spacer	1	
9		327.009	incl. in 327.010	bush, engine hanger	2	
10		327.010	18.57	engine hanger	1	
11		327.011	incl. in 327.010	damper	2	
12		327.012	1.05	bolt M10X1.25X55	2	
13		327.013	1.20	bolt	1	
14		327.014	0.95	bolt M10X1.25X20	2	
15		327.015	0.65	nut M10X1.25	1	
16		327.016		cushion	2	
17		327.017	2.15	tension spring	1	
18		327.018	11.98	main stand	1	
19		327.019	1.36	bolt, side stand	1	
20		327.020	2.13	tension spring	1	
21		327.021	1.08	rubber damper	1	

22		327.022	0.85	bolt M6X30	1	
23		327.023	0.65	nut M10X1.25	1	

FIG 28

Electric



NO.	CODE NAME	PART NUMBER	PRICE	DESCRIPTION	QUANTITY	NOTE
1		328.001	8.75	horn	1	
2		328.002	11.98	ignition coil	1	
3		328.003	11.99	rectifier & regulator	1	
4		328.004	12.97	CDI	1	
5		328.005	0.99	cushion, CDI	1	
6		328.006	9.98	starter relay	1	
7		328.007	0.65	nut	2	
8		328.008	19.70	wire harness	1	
9		328.009	0.90	wire (-)	1	
10		328.010	35.26	battery	1	
11		328.011	6.99	horn, alarm system	1	
12		328.012	6.18	alarm system	1	
13		328.013	0.85	bolt	2	
14		328.014	0.85	bolt	1	
15		328.015	0.85	bolt	1	
16		328.016	0.85	screw	1	
17		328.017	0.50	spring washer	1	
18		328.018	0.50	washer	1	
19		328.019	0.65	nut	1	
20		328.020	0.50	spring washer	1	
21		328.021	0.50	washer	1	

22		328.022	2.60	bracket, alarm system	1	
23		328.023	0.85	screw	1	
24		328.024	0.65	nut	1	
25		328.025	0.85	bolt	2	