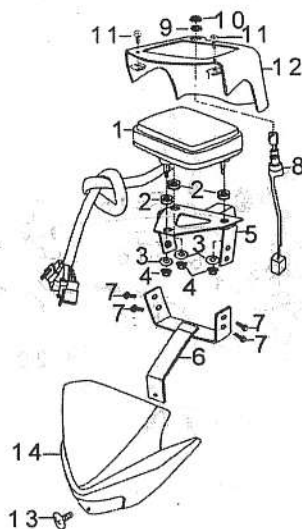
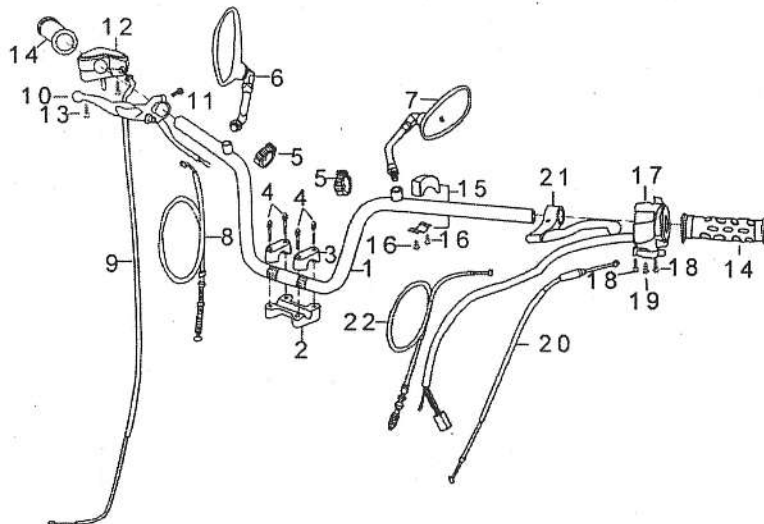


# F-1 仪表总成 METER ASSY



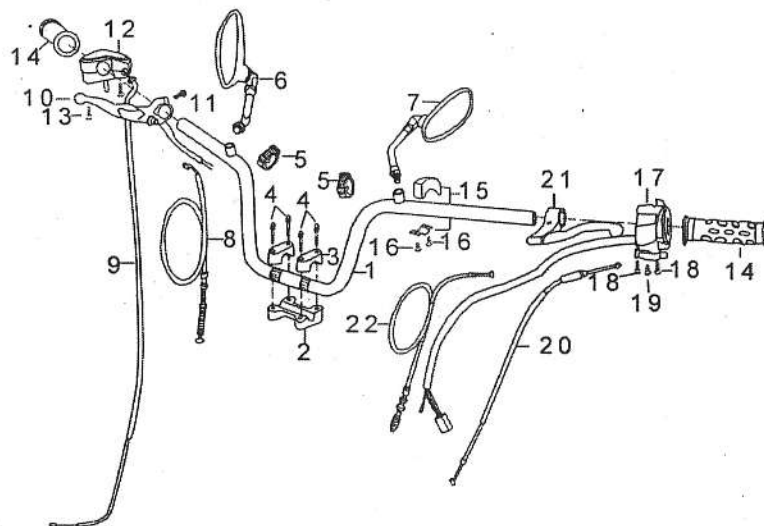
| 序号<br>S/N | 零部件代号<br>Part No. | 零部件名称       | Description            | 数量<br>Quantity | 备注<br>Remark |
|-----------|-------------------|-------------|------------------------|----------------|--------------|
| 1         | 37000             | 仪表总成        | Meter Assy             | 1              |              |
| 2         | 37951/50ST-5      | 仪表安装胶垫      | Grommet, meter         | 3              |              |
| 3         | GB/T97.1          | 垫圈 5        | Washer, 5              | 3              |              |
| 4         | GB/T6177.1        | 螺母 M5       | Nut, M5                | 3              |              |
| 5         | 37910             | 仪表安装支架组件    | Bracket comp., meter   | 1              |              |
| 6         | 37920             | 仪表连接支架组件    | Stay, meter            | 1              |              |
| 7         | GB/T16674.1       | 螺栓 M6×16    | Bolt, M6×16            | 4              |              |
| 8         | 35410             | 点火开关组合      | Switch comp., ignition | 1              |              |
| 9         | 93511             | 胶垫圈 I       | Grammet I              | 1              |              |
| 10        | 93217/250ST-2     | 锁紧螺母 II     | Locknut II             | 1              |              |
| 11        | GB/T845           | 螺钉 ST4.2×16 | Screw, ST4.2×16        | 2              |              |
| 12        | 43131             | 仪表护罩        | Case, meter            | 1              |              |
| 13        | 93311             | 大盘头螺钉 M6×16 | Screw, M6×16           | 1              |              |
| 14        | 43151             | 前导流罩        | Fairing, front         | 1              |              |

## F-2 方向把管 STEERING BAR



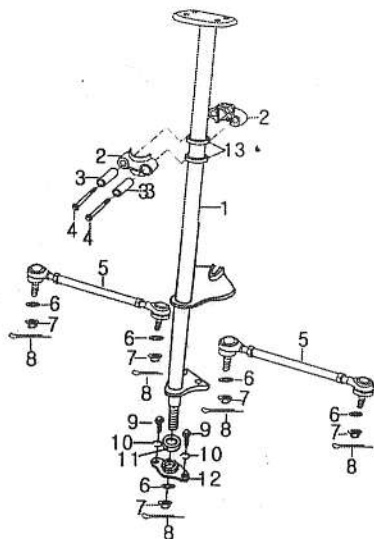
| 序号<br>S/N | 零 部 件 代 号<br>Part No. | 零 部 件 名 称     | Description               | 数 量<br>Quantity | 备 注<br>Remark |
|-----------|-----------------------|---------------|---------------------------|-----------------|---------------|
| 1         | 47110                 | 方向把管组件        | Pipe comp., steering bar  | 1               |               |
| 2         | 47121/50ST-2          | 方向把管固定座       | Holder, steering bar pipe | 1               |               |
| 3         | 47151/50ST-2          | 右方向把卡夹        | Clamp, steering bar, RH   | 2               |               |
| 4         | GB/T16674.1           | 螺栓 M8×55      | Bolt, M8×55               | 4               |               |
| 5         | Q67407200             | 塑料扎带 7×200    | Band, plastic, 7×200      | 2               |               |
| 6         | 57100                 | 右后视镜          | Mirror, rear-view, RH     | 1               |               |
| 7         | 57200                 | 左后视镜          | Mirror, rear-view, LH     | 1               |               |
| 8         | 46410                 | 后制动           | Cable, rear brake         | 1               |               |
| 9         | 46310                 | 油门拉索          | Cable, throttle           | 1               |               |
| 10        | 47500                 | 前制动手柄组合       | Lever comp., front brake  | 1               |               |
| 11        | GB/T16674.1           | 螺栓 M6×20      | Bolt, M6×20               | 1               |               |
| 12        | 47300                 | 油门握把 (加油器) 组合 | Accelerator               | 1               |               |
| 13        | GB/T818               | 螺钉 M5×25      | Screw, M5×25              | 2               |               |
| 14        | 47411                 | 左握把           | Grip, LH                  | 2               |               |
| 15        | 35150                 | 熄火开关组件        | Switch, engine stop       | 1               |               |

## F-2 方向把管 STEERING BAR



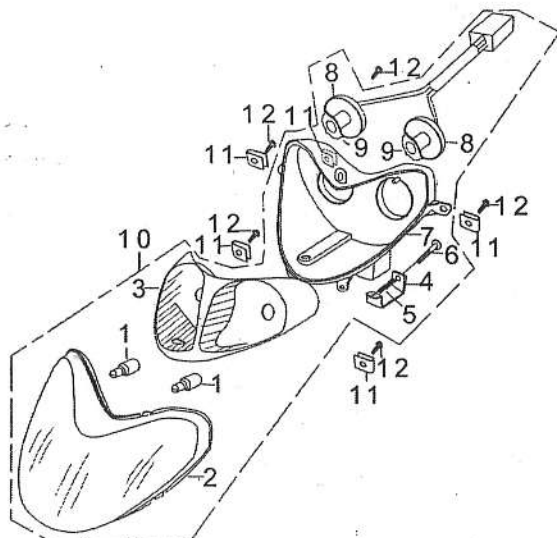
| 序号<br>S/N | 零 部 件 代 号<br>Part No. | 零 部 件 名 称 | Description               | 数 量<br>Quantity | 备 注<br>Remark |
|-----------|-----------------------|-----------|---------------------------|-----------------|---------------|
| 16        | GB/T818               | 螺钉 3×12   | Screw, 3×12               | 2               |               |
| 17        | 35200                 | 左手把开关     | Switch, handlebar, LH     | 1               |               |
| 18        | GB/T818               | 螺钉 5×22   | Screw, 5×22               | 2               |               |
| 19        | GB/T818               | 螺钉 5×12   | Screw, 5×12               | 1               |               |
| 20        | 46350                 | 阻风门拉索     | Cable, choke              | 1               |               |
| 21        | 47600                 | 离合器手柄组件   | Lever comp., clutch lever | 1               |               |
| 22        | 46200                 | 离合器拉索     | Cable, clutch             | 1               |               |

### F-3 方向柱组件 STEERING STEM ASSY



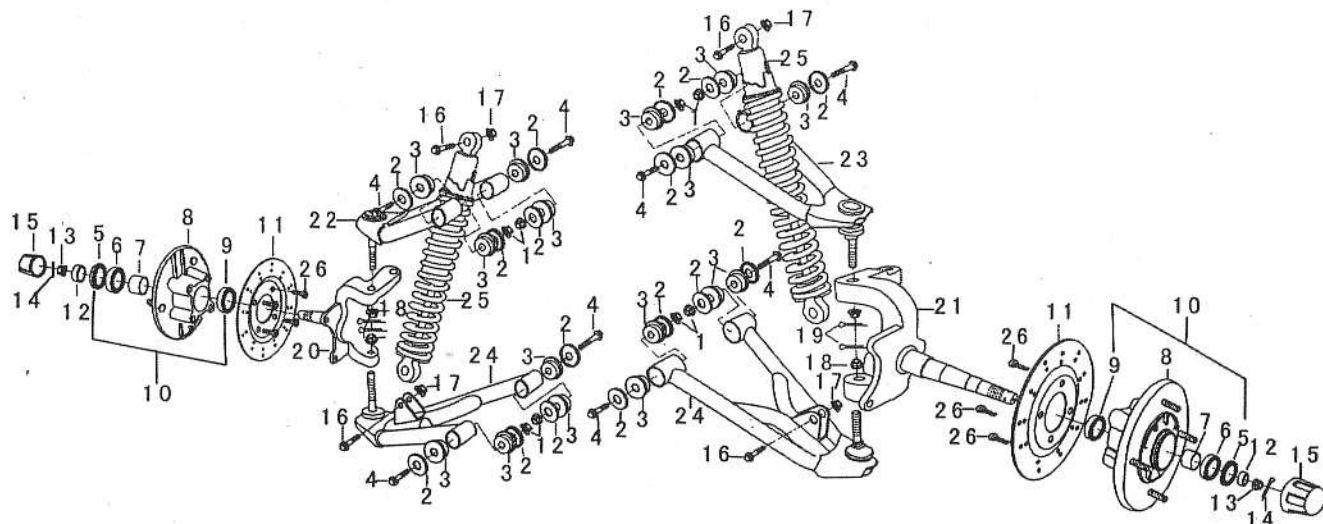
| 序号<br>S/N | 零 部 件 代 号<br>Part No. | 零 部 件 名 称   | Description               | 数 量<br>Quantity | 备 注<br>Remark |
|-----------|-----------------------|-------------|---------------------------|-----------------|---------------|
| 1         | 51210                 | 方向柱组件       | Steering stem             | 1               |               |
| 2         | 51851                 | 方向柱安装卡      | Clamp, steering stem      | 2               |               |
| 3         | 51853                 | 方向柱安装衬套     | Bush, steering stem       | 2               |               |
| 4         | GB/T5782              | 螺栓 M8×55    | Bolt, M8×55               | 2               |               |
| 5         | 51610                 | 转向拉杆组合      | Tie-rod comp              | 1               |               |
| 6         | GB/T96.1              | 垫圈 10       | Washer, 10                | 2               |               |
| 7         | GB/T9457              | 螺母 M10×1.25 | Nut, M10×1.25             | 3               |               |
| 8         | GB/T91                | 开口销 2×20    | Split pin, 2×20           | 1               |               |
| 9         | GB/T16674.1           | 螺栓 M6×16    | Bolt, M6×16               | 3               |               |
| 10        | GB/T97.1              | 垫圈 6        | Washer, 6                 | 3               |               |
| 11        | 51975                 | 方向柱防尘盖      | Dust cover, steering stem | 1               |               |
| 12        | 51810                 | 方向柱连接座组件    | Seat, steering stem       | 1               |               |
| 13        | 51852/50ST-4          | 方向柱安装油封     | Oil seal, steering stem   | 2               |               |

## F-4 前照灯总成 FRONT HEADLIGHT ASSY



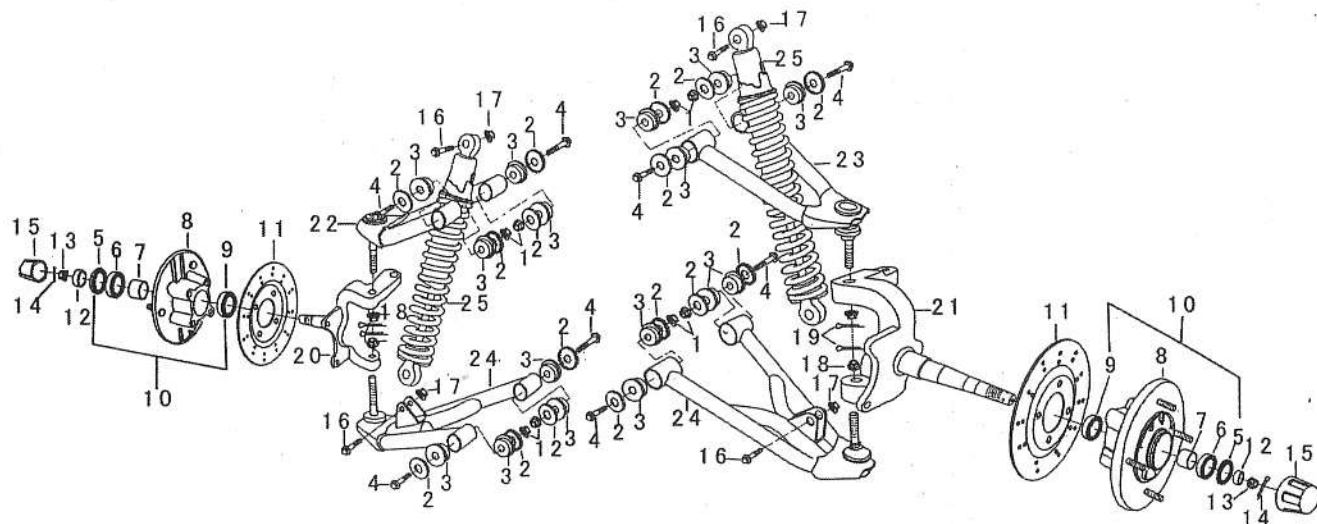
| 序号<br>S/N | 零部件代号<br>Part No. | 零部件名称       | Description                | 数量<br>Quantity | 备注<br>Remark |
|-----------|-------------------|-------------|----------------------------|----------------|--------------|
| 1         | GB15766.1         | 灯泡 12V-35W  | Bulb, 12V-35W              | 2              |              |
| 2         | 33181             | 前照灯灯罩       | Lens, headlight            | 1              |              |
| 3         | 33120             | 前照灯反光碗组件    | Reflector comp., headlight | 1              |              |
| 4         | 33131             | 前照灯防尘圈      | Dust ring, headlight       | 1              |              |
| 5         | 33188             | 前照灯调整弹簧     | Spring, headlight          | 1              |              |
| 6         | GB/T818           | 螺钉 M5×60    | Screw, M5×60               | 1              |              |
| 7         | 33110             | 前照灯灯壳组件     | Housing comp., headlight   | 1              |              |
| 8         | 33122             | 前照灯灯座座圈     | Rim, headlight socket      | 2              |              |
| 9         | 33140             | 前照灯灯座组件     | Socket, headlight          | 1set           |              |
| 10        | 33100             | 前照灯总成       | Headlight Assy             | 1              |              |
| 11        | QC/T608           | 板簧螺母 Q31206 | Nut, reed, Q31206          | 6              |              |
| 12        | GB/T16674.1       | 螺栓 M6×16    | Bolt, M6×16                | 6              |              |

# F-5 摇臂 前制动器 SWING ARM & FRONT BRAKE



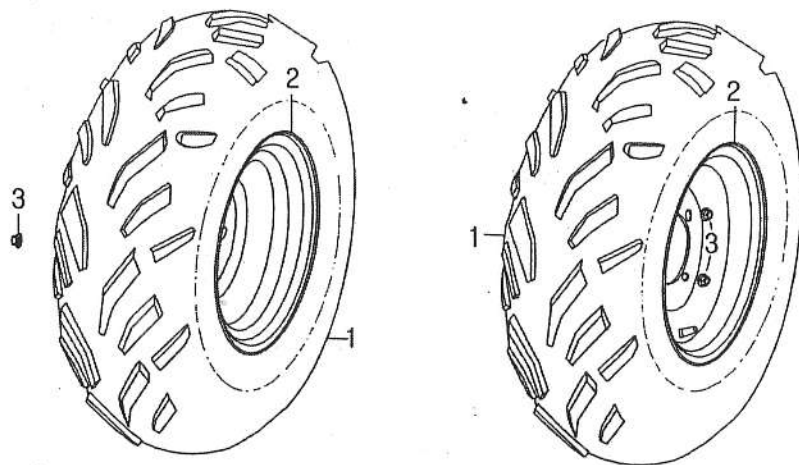
| 序号<br>S/N | 零部件代号<br>Part No. | 零部件名称       | Description            | 数量<br>Quantity | 备注<br>Remark |
|-----------|-------------------|-------------|------------------------|----------------|--------------|
| 1         | GB/T6187.2        | 螺母 M12×1.25 | Nut, M12×1.25          | 8              |              |
| 2         | 52215             | 前右摇臂防尘盖     | Dust cover             | 8              |              |
| 3         | 52214             | 前右摇臂减震套     | Sleeve                 | 8              |              |
| 4         | GB/T5782          | 螺栓 M12×80   | Bolt, M12×80           | 8              |              |
| 5         | 54283             | 前轮防尘圈       | Dust ring, front wheel | 2              |              |
| 6         | GB/T276           | 轴承 6004-2RS | Bearing, 6004-2RS      | 2              |              |
| 7         | 54281             | 前轮内衬套       | Bush, front wheel      | 2              |              |
| 8         | 54210             | 前轮毂组件       | Hub comp., front wheel | 2              |              |
| 9         | GB/T276           | 轴承 6203-RS  | Bearing, 6203-RS       | 2              |              |
| 10        | 54100             | 前轮毂组合       | Hub comp., front wheel | 2              |              |
| 11        | 56311             | 前制动盘        | Disc, front brake      | 2              |              |
| 12        | 54912             | 前轮右衬套       | Bush, front wheel, RH  | 2              |              |
| 13        | GB/T9457          | 螺母 M16×1.5  | Nut, M16×1.5           | 2              |              |
| 14        | GB/T91            | 开口销 3.0×30  | Split pin, 3.0×30      | 2              |              |
| 15        | 54914             | 前轮轴护套       | Boot, front axle       | 2              |              |

# F-5 摇臂 前制动器 SWING ARM & FRONT BRAKE



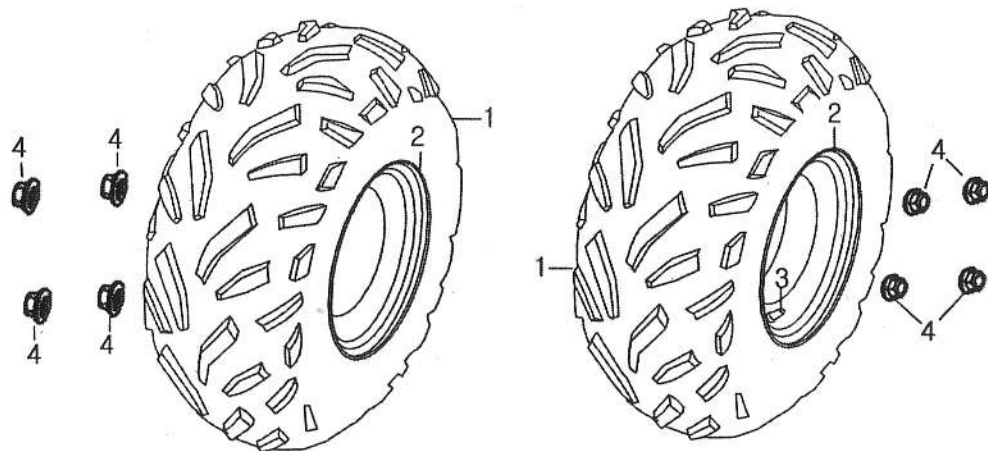
| 序号<br>S/N | 零部件代号<br>Part No. | 零部件名称          | Description                   | 数量<br>Quantity | 备注<br>Remark |
|-----------|-------------------|----------------|-------------------------------|----------------|--------------|
| 16        | GB/T16674.2       | 螺栓 M10×1.25×40 | Bolt, M10×1.25×40             | 4              |              |
| 17        | GB/T6187.2        | 螺母 M10×1.25    | Nut, M10×1.25                 | 4              |              |
| 18        | GB/T9457          | 开槽螺母 M12×1.25  | Nut, M12×1.25                 | 4              |              |
| 19        | GB/T91            | 开口销 2.5×25     | Pin, split, 2.5×25            | 4              |              |
| 20        | 51711             | 右转向节           | Knuckle, RH                   | 1              |              |
| 21        | 51751             | 左转向节           | Knuckle, LH                   | 1              |              |
| 22        | 52210             | 前右(上)摇臂组合      | Rocker comp., front, RH       | 1              |              |
| 23        | 52250             | 前左(上)摇臂组合      | Rocker comp., front, LH       | 1              |              |
| 24        | 52230             | 前右下摇臂组合        | Rocker comp., front lower, RH | 2              |              |
| 25        | 52400             | 前右减震器          | Shock absorber, front, RH     | 2              |              |
| 26        | GB/T70.1          | 内六角螺钉 M8×20    | Screw, M8×20                  | 8              |              |

# F-6 前轮总成 FRONT WHEEL ASSY



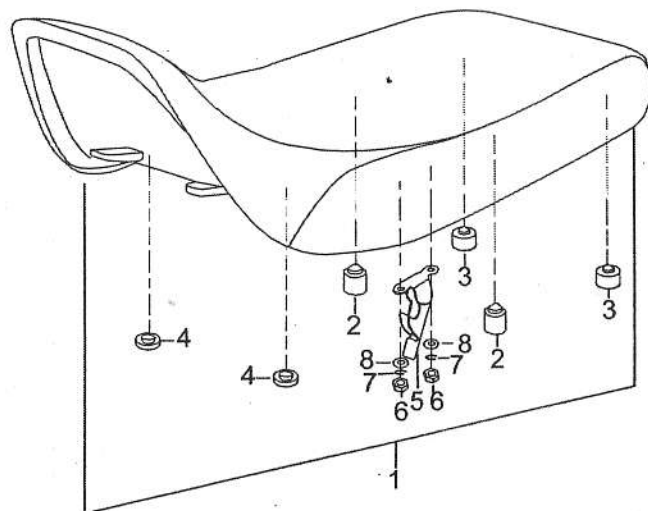
| 序号<br>S/N | 零部件代号<br>Part No. | 零部件名称        | Description      | 数量<br>Quantity | 备注<br>Remark |
|-----------|-------------------|--------------|------------------|----------------|--------------|
| 1         | 54700             | 前轮外胎 22×7-10 | Tyre, 22×7-10    | 2              |              |
| 2         | 54611             | 前轮钢          | Rim, front wheel | 2              |              |
| 3         | GB/T6187.2        | 螺母 M10×1.25  | Nut, M10×1.25    | 8              |              |

# F-7 后轮总成 REAR WHEEL ASSY



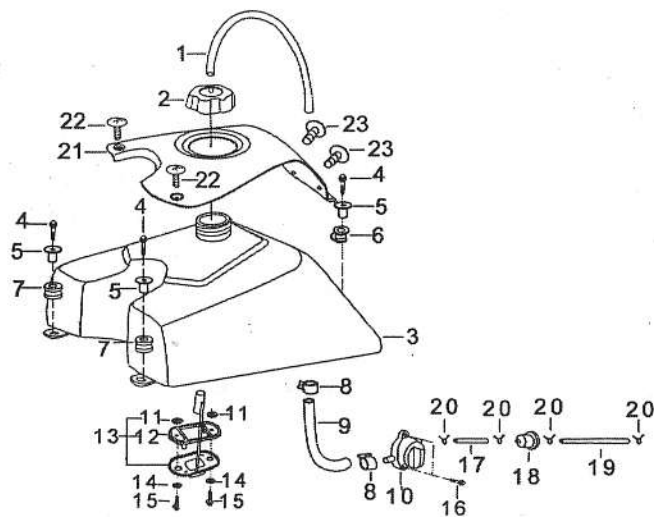
| 序号<br>S/N | 零部件代号<br>Part No. | 零部件名称         | Description     | 数量<br>Quantity | 备注<br>Remark |
|-----------|-------------------|---------------|-----------------|----------------|--------------|
| 1         | 64700             | 后轮外胎 22×10-10 | Tyre, 22×10-10  | 2              |              |
| 2         | 64611             | 后轮辋           | Rear wheel Assy | 2              |              |
| 3         | GB1796            | B型防护帽         | Cap             | 2              |              |
| 4         | GB/T6187.1        | 螺母 M8         | Nut, M8         | 8              |              |

# F-8 座垫总成 SEAT ASSY



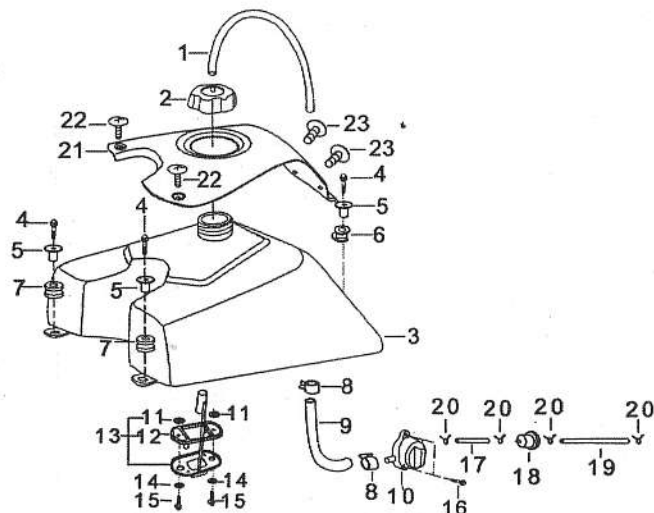
| 序号<br>S/N | 零 部 件 代 号<br>Part No. | 零 部 件 名 称 | Description          | 数 量<br>Quantity | 备 注<br>Remark |
|-----------|-----------------------|-----------|----------------------|-----------------|---------------|
| 1         | 44100                 | 座垫总成      | Seat, Assy.          | 1               |               |
| 2         | 44184                 | 座垫中减震垫    | Pad, seat mid        | 2               |               |
| 3         | 44185                 | 座垫后减震垫    | Pad, seat rear       | 2               |               |
| 4         | 44183                 | 座垫前减震垫    | Pad, seat front      | 2               |               |
| 5         | 48350                 | 座垫锁座挂钩组件  | Hook unit, seat lock | 1               |               |
| 6         | GB/T6170              | 螺母 M6     | Nut M6               | 2               |               |
| 7         | GB/T93                | 垫圈 6      | Washer, 6            | 2               |               |
| 8         | GB/T97.1              | 垫圈 6      | Washer, 6            | 2               |               |

# F-9 油箱总成 FUEL TANK ASSY



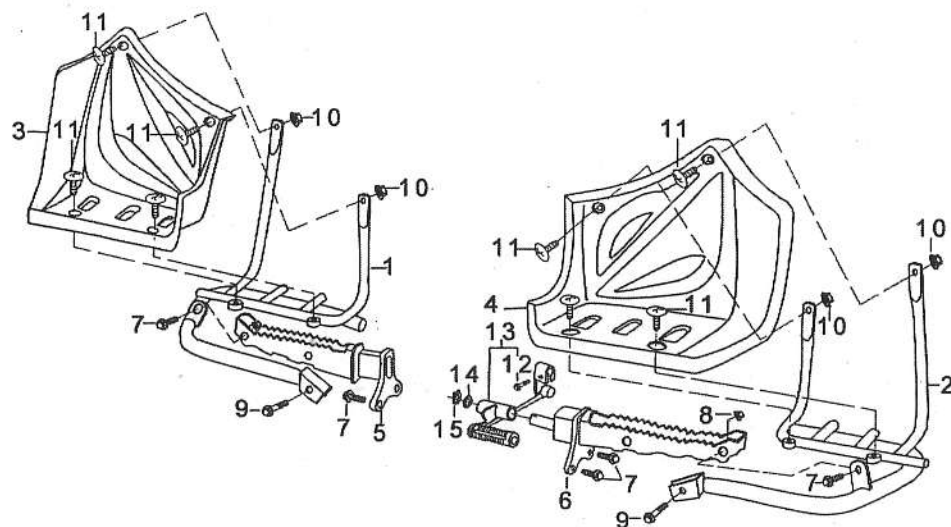
| 序号<br>S/N | 零 部 件 代 号<br>Part No. | 零 部 件 名 称    | Description                    | 数 量<br>Quantity | 备 注<br>Remark |
|-----------|-----------------------|--------------|--------------------------------|-----------------|---------------|
| 1         | 16522                 | 油箱盖通气管       | Tube, fuel filler cap breather | 1               |               |
| 2         | 16510                 | 油箱盖组件        | Cap set, fuel filler           | 1               |               |
| 3         | 16610                 | 油箱组合         | Tank comp., fuel               | 1               |               |
| 4         | GB/T16674.1           | 螺栓 M6×20     | Bolt, M6×20                    | 3               |               |
| 5         | 16955/250ST           | 油箱前连接衬套      | Bush, fuel tank front          | 3               |               |
| 6         | 16995                 | 油箱后减震垫       | Cushion, fuel tank rear        | 1               |               |
| 7         | 16951                 | 油箱前减震垫       | Cushion, fuel tank front       | 2               |               |
| 8         | QC/T621               | 弹性环箍 Q673B10 | Circlip, Q673B10               | 2               |               |
| 9         | 16656                 | 出油导管         | Pipe, outlet                   | 1               |               |
| 10        | 16800                 | 燃油开关         | Cock, fuel                     | 1               |               |
| 11        | GB/T3452.1            | O形密封圈 6×2.0  | O-ring, 6×2.0                  | 2               |               |
| 12        | 37813                 | 燃油传感器密封胶垫    | Gasket, fuel sensor            | 1               |               |
| 13        | 37810                 | 燃油传感器        | Sensor, fuel                   | 1               |               |
| 14        | 93521                 | 纸垫圈 I        | Washer I, paper                | 2               |               |
| 15        | GB/T16674.1           | 螺栓 M6×12     | Bolt, M6×12                    | 2               |               |

# F-9 油箱总成 FUEL TANK ASSY



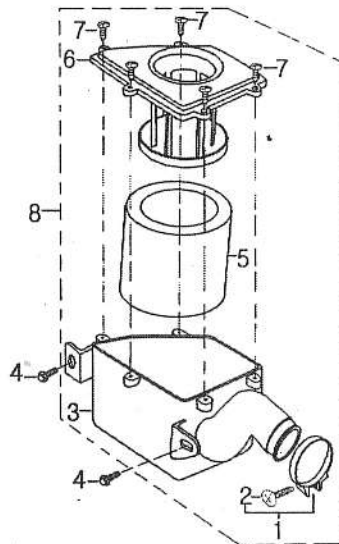
| 序号<br>S/N | 零部件代号<br>Part No. | 零部件名称        | Description               | 数量<br>Quantity | 备注<br>Remark |
|-----------|-------------------|--------------|---------------------------|----------------|--------------|
| 16        | GB/T16674.1       | 螺栓 M6×16     | Bolt, M6×16               | 2              |              |
| 17        | 16834             | 油管 II        | Hose II                   | 1              |              |
| 18        | 16870             | 燃油过滤器组件      | Filter comp., fuel        | 1              |              |
| 19        | 16835             | 油管 III       | Hose III                  | 1              |              |
| 20        | QC/T621           | 弹性环箍 Q671B07 | Circlip, Q671B07          | 4              |              |
| 21        | 43543             | 油箱上装饰罩       | Ornament, fuel tank upper | 1              |              |
| 22        | 93312/100-5       | 螺钉 M6×16     | Screw, M6×16              | 2              |              |
| 23        | 93331             | 螺钉 M6×12     | Screw, M6×12              | 2              |              |

## F-10 搁脚架 FOOTREST



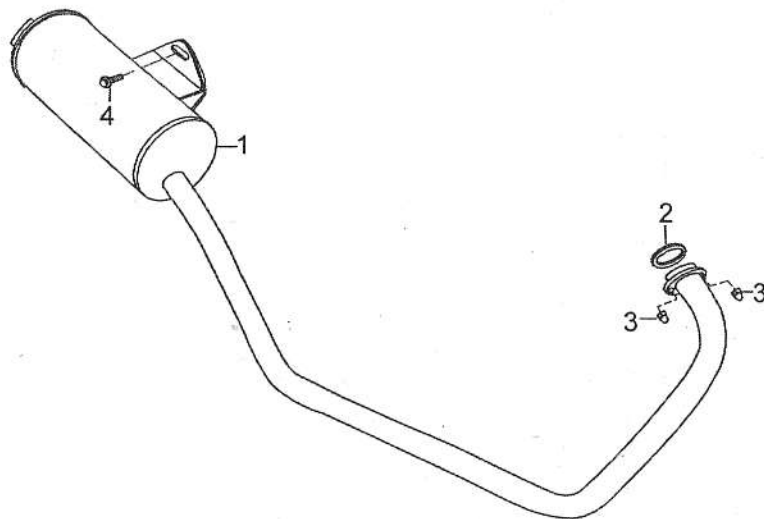
| 序号<br>S/N | 零 部 件 代 号<br>Part No. | 零 部 件 名 称      | Description               | 数 量<br>Quantity | 备 注<br>Remark |
|-----------|-----------------------|----------------|---------------------------|-----------------|---------------|
| 1         | 42330                 | 前右搁脚踏板组件       | Treadle comp., rider, RH  | 1               |               |
| 2         | 42430                 | 前左搁脚踏板组件       | Treadle comp., rider, LH  | 1               |               |
| 3         | 42381                 | 前右搁脚踏板         | Treadle, rdier, RH        | 1               |               |
| 4         | 42481                 | 前左搁脚踏板         | Treadle, rdier, LH        | 1               |               |
| 5         | 42310                 | 前右搁脚组合         | Footrest comp., rider, RH | 1               |               |
| 6         | 42410                 | 前左搁脚组合         | Footrest comp., rider, LH | 1               |               |
| 7         | GB/T16674.2           | 螺栓 M10×1.25×20 | Bolt, M10×1.25×20         | 6               |               |
| 8         | GB/T6187.2            | 螺母 M10×1.25    | Nut, M10×1.25             | 2               |               |
| 9         | GB/T16674.1           | 螺栓 M6×50       | Bolt, M6×50               | 2               |               |
| 10        | GB/T6177.1            | 螺母 M6          | Nut, M6                   | 4               |               |
| 11        | 93312/100-5           | 大盘头螺钉 M6×16    | Screw, M6×16              | 8               |               |
| 12        | GB/T5783              | 螺栓 M6×32       | Bolt, M6×32               | 1               |               |
| 13        | 24700                 | 变档杆总成          | Lever Assy, gearshift     | 1               |               |
| 14        | GB/T97.1              | 垫圈 15          | Washer, 15                | 1               |               |
| 15        | GB/T893.1             | 弹性档圈 Q43015    | Circlip, Q43015           | 1               |               |

# F-11 空气滤清器总成 AIR CLEANER ASSY



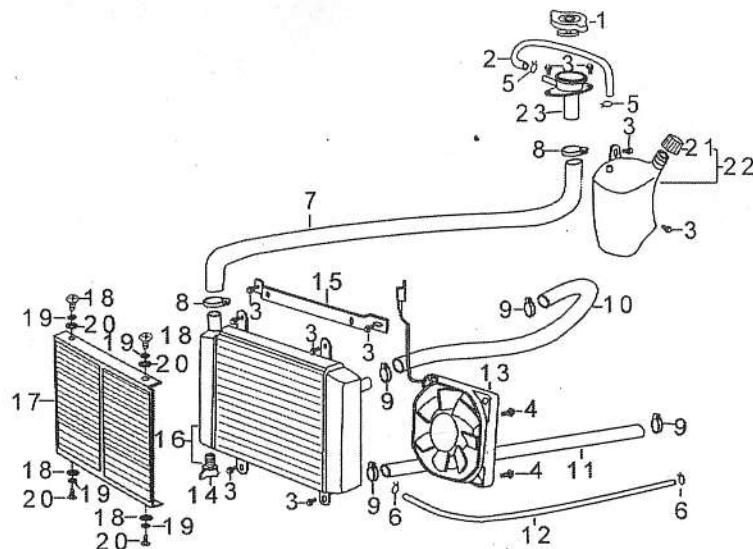
| 序号<br>S/N | 零部件代号<br>Part No. | 零部件名称       | Description              | 数量<br>Quantity | 备注<br>Remark |
|-----------|-------------------|-------------|--------------------------|----------------|--------------|
| 1         | 17140             | 空气滤清器卡箍组件 I | Clamp set I, air cleaner | 1              |              |
| 2         | GB/T818           | 螺钉 M5×30    | Screw, M5×30             | 1              |              |
| 3         | 17111             | 空滤器壳体       | Housing, air cleaner     | 1              |              |
| 4         | GB/T16674.1       | 螺栓 M6×16    | Bolt, M6×16              | 2              |              |
| 5         | 17121             | 空气滤清器芯      | Element, air cleaner     | 1              |              |
| 6         | 17181             | 空滤器盖        | Cover, air cleaner       | 1              |              |
| 7         | GB/T845           | 螺钉 ST4.8×16 | Screw, ST4.8×16          | 5              |              |
| 8         | 17100             | 空气滤清器总成     | Air cleaner Assy         | 1              |              |

F-12 排气消声器总成 EXHAUST MUFFLER ASSY



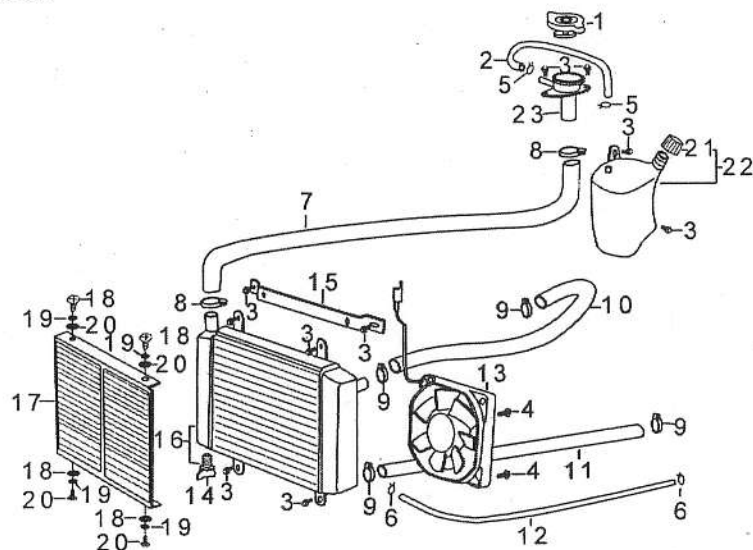
| 序号<br>S/N | 零部件代号<br>Part No. | 零部件名称    | Description           | 数量<br>Quantity | 备注<br>Remark |
|-----------|-------------------|----------|-----------------------|----------------|--------------|
| 1         | 18100             | 排气消声器组合  | Exhaust muffler comp. | 1              |              |
| 2         | 18920             | 消声器密封垫组件 | Gasket, exhaust       | 1              |              |
| 3         | GB/T6170          | 螺母 M6    | Nut, M6               | 2              |              |
| 4         | GB/T16674.1       | 螺栓 M8×25 | Bolt, M8×25           | 1              |              |

# F-13 散热器总成 RADIATOR ASSY



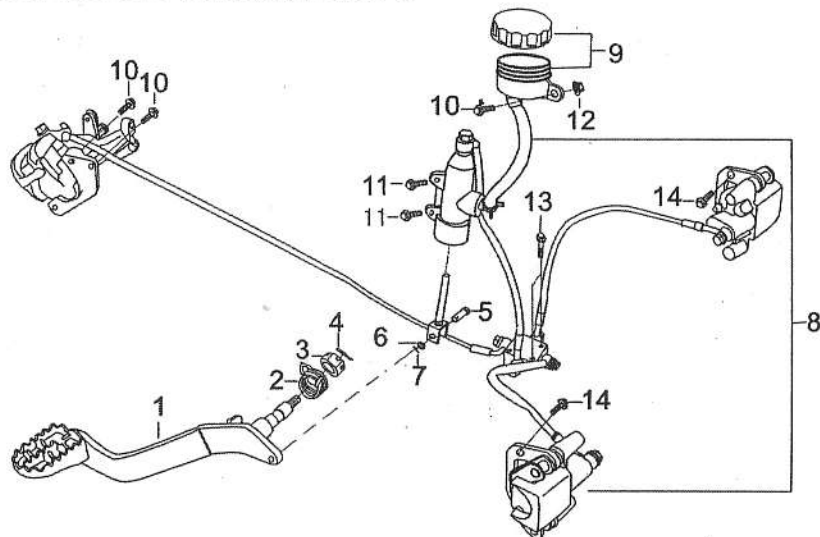
| 序号<br>S/N | 零部件代号<br>Part No. | 零部件名称        | Description                    | 数量<br>Quantity | 备注<br>Remark |
|-----------|-------------------|--------------|--------------------------------|----------------|--------------|
| 1         | 19560             | 水箱盖总成        | Cap comp., radiator            | 1              |              |
| 2         | 19131             | 贮备水箱出水管      | Outlet pipe, storage reservoir | 1              |              |
| 3         | GB/T16674.1       | 螺栓 M6×12     | Bolt, M6×12                    | 8              |              |
| 4         | GB/T16674.1       | 螺栓 M6×16     | Bolt, M6×16                    | 4              |              |
| 5         | GB/T621           | 弹性环箍 Q671B09 | Circlip, Q671B09               | 2              |              |
| 6         | GB/T621           | 弹性环箍 Q671B07 | Circlip, Q671B07               | 2              |              |
| 7         | 19614             | 散热器进水管       | Hose, radiator inlet           | 1              |              |
| 8         | GB/T621           | 弹性环箍 Q673B23 | Circlip, Q673B23               | 2              |              |
| 9         | GB/T621           | 弹性环箍 Q673B19 | Circlip, Q673B19               | 4              |              |
| 10        | 19364             | 节温器出水管       | Hose, thermostat outlet        | 1              |              |
| 11        | 19615             | 散热器出水管       | Hose comp., radiator outlet    | 1              |              |
| 12        | 19363             | 节温器小水管       | Hose, thermostat               | 1              |              |
| 13        | 19800             | 风扇总成         | Fan Assy                       | 1              |              |
| 14        | 19493             | 散热器放水螺塞      | Plug, radiator drain           | 1              |              |
| 15        | 19481             | 散热器上支架       | Bracket, radiator              | 1              |              |

# F-13 散热器总成 RADIATOR



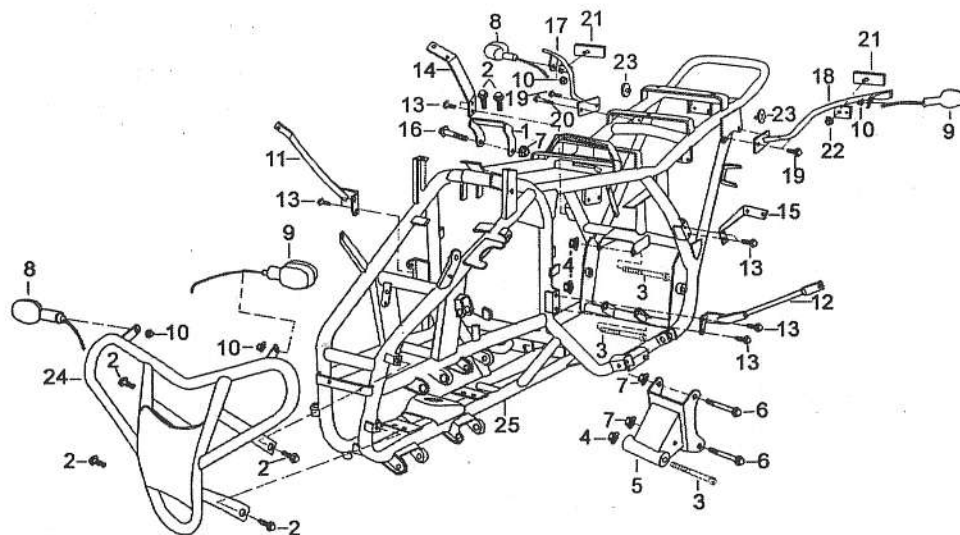
| 序号<br>S/N | 零部件代号<br>Part No. | 零部件名称    | Description             | 数量<br>Quantity | 备注<br>Remark |
|-----------|-------------------|----------|-------------------------|----------------|--------------|
| 16        | 19410             | 散热器组件    | Radiator comp.          | 1              |              |
| 17        | 19442             | 散热器网罩    | Hood                    | 1              |              |
| 18        | GB/T97.1          | 垫圈 5     | Washer, 5               | 4              |              |
| 19        | GB/T93            | 垫圈 5     | Washer, 5               | 4              |              |
| 20        | GB/T818           | 螺钉 M5×10 | Screw, M5×10            | 4              |              |
| 21        | 19110             | 贮备水箱盖组件  | Cap comp., reserve tank | 1              |              |
| 22        | 19100             | 贮备水箱     | Tank, reserve           | 1              |              |
| 23        | 19920             | 注水杯总成    | Filler, water           | 1              |              |

# F-14 液压制动器总成 HYDRAULIC BRAKE ASSY



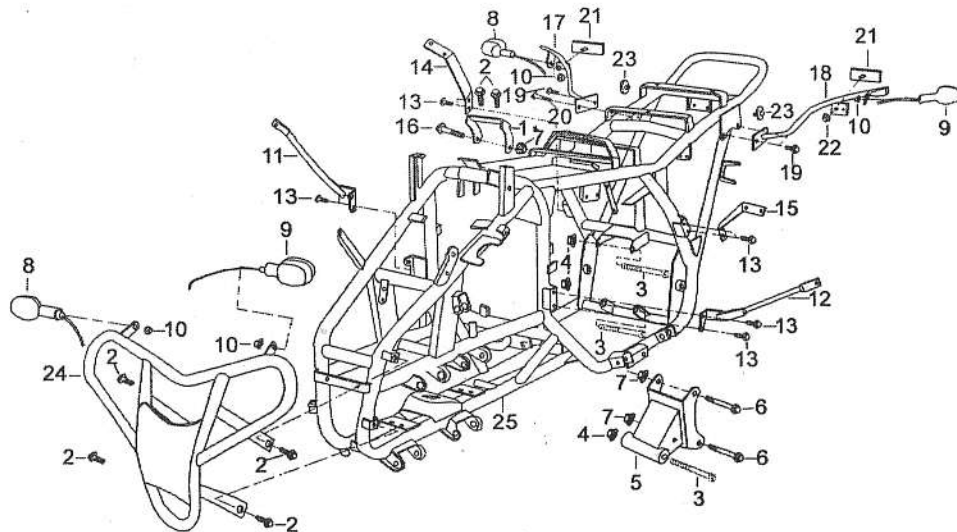
| 序号<br>S/N | 零部件代号<br>Part No. | 零部件名称       | Description                 | 数量<br>Quantity | 备注<br>Remark |
|-----------|-------------------|-------------|-----------------------------|----------------|--------------|
| 1         | 65410             | 后制动踏板组合     | Pedal comp., rear brake     | 1              |              |
| 2         | 65941             | 后制动踏板回位簧    | Spring, rear brake pedal    | 1              |              |
| 3         | GB/T9457          | 螺母 M10×1.25 | Nut, M10×1.25               | 1              |              |
| 4         | GB/T91            | 开口销 2.0×30  | Split pin, 2.0×30           | 1              |              |
| 5         | GB/T882           | 轴销 6×30     | Pin, 6×30                   | 1              |              |
| 6         | GB/T96.1          | 垫圈 6        | Washer, 6                   | 1              |              |
| 7         | GB/T91            | 开口销 3.0×30  | Split pin, 3.0×30           | 1              |              |
| 8         | 56000             | 液压制动器总成     | Brake Assy, front hydraulic | 1              |              |
| 9         | 56450             | 前制动油杯组合     | Cup, front brake            | 1              |              |
| 10        | GB/T16674.1       | 螺栓 M6×16    | Bolt, M6×16                 | 1              |              |
| 11        | GB/T16674.1       | 螺栓 M6×20    | Bolt, M6×20                 | 3              |              |
| 12        | GB/T6177.1        | 螺母 M6       | Nut, M6                     | 1              |              |
| 13        | GB/T16674.1       | 螺栓 M6×25    | Bolt, M6×25                 | 1              |              |
| 14        | GB/T16674.1       | 螺栓 M8×16    | Bolt, M8×16                 | 4              |              |

# F-15 车架焊接总成 FRAME WELDMENT ASSY



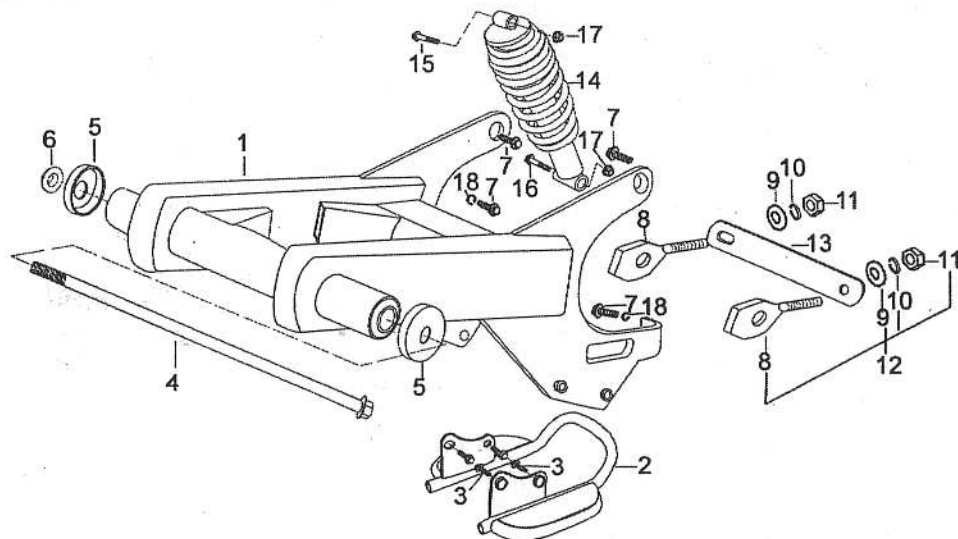
| 序号<br>S/N | 零部件代号<br>Part No. | 零部件名称           | Description                          | 数量<br>Quantity | 备注<br>Remark |
|-----------|-------------------|-----------------|--------------------------------------|----------------|--------------|
| 1         | 42730             | 发动机上连板组件        | Plate comp., engine top connecting   | 1              |              |
| 2         | GB/T16674.1       | 螺栓 M6×16        | Bolt, M6×16                          | 6              |              |
| 3         | GB/T16674.2       | 螺栓 M10×1.25×110 | Bolt, M10×1.25×110                   | 3              |              |
| 4         | GB/T6187.2        | 螺母 M10×1.25     | Nut, M10×1.25                        | 3              |              |
| 5         | 42710             | 发动机前连板组件        | Plate comp., engine front connecting | 1              |              |
| 6         | GB/T16674.1       | 螺栓 M8×90        | Bolt, M8×90                          | 2              |              |
| 7         | GB/T6187.1        | 螺母 M8           | Nut, M8                              | 2              |              |
| 8         | 33510             | 右转向灯            | Winker, RH                           | 2              |              |
| 9         | 33550             | 左转向灯            | Winker, LH                           | 2              |              |
| 10        | GB/T6177.1        | 螺母 M10          | Nut, M10                             | 4              |              |
| 11        | 53910             | 前右挡泥板支架组件       | Stay comp., front fender, RH         | 1              |              |
| 12        | 53920             | 前左挡泥板支架组件       | Stay comp., front fender, LH         | 1              |              |
| 13        | GB/T16674.1       | 螺栓 M6×12        | Bolt, M6×12                          | 8              |              |
| 14        | 63931             | 后挡泥板前右支架        | Stay, rear fender, RH                | 1              |              |
| 15        | 63941             | 后挡泥板前左支架        | Stay, rear fender, LH                | 1              |              |

# F-15 车架焊接总成 FRAME WELDMENT ASSY



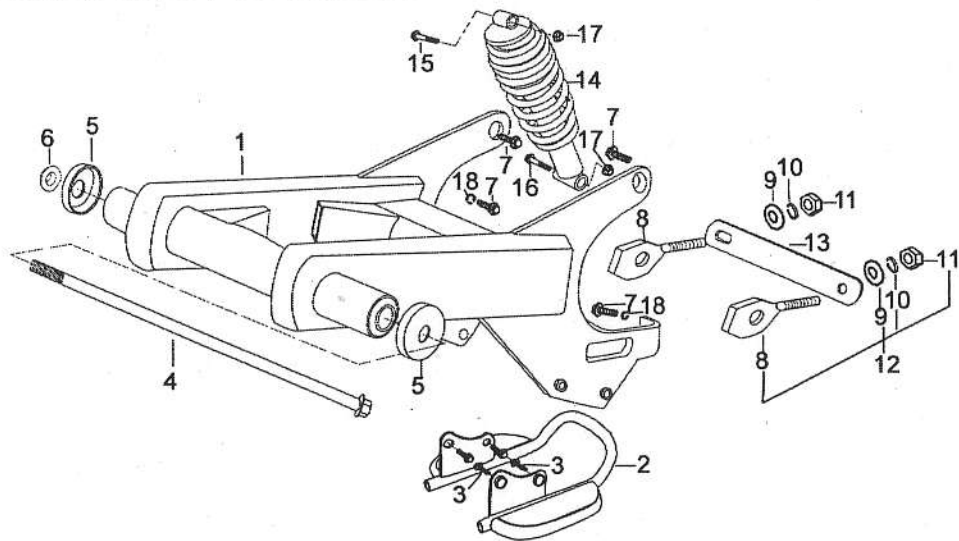
| 序号<br>S/N | 零部件代号<br>Part No. | 零部件名称      | Description                    | 数量<br>Quantity | 备注<br>Remark |
|-----------|-------------------|------------|--------------------------------|----------------|--------------|
| 16        | GB/T16674.1       | 螺栓 M8×70   | Bolt, M8×70                    | 1              |              |
| 17        | 63980             | 后挡泥板后右支架组件 | Rear stay set, rear fender, RH | 1              |              |
| 18        | 63990             | 后挡泥板后左支架组件 | Rear stay set, rear fender, LH | 1              |              |
| 19        | GB/T16674.1       | 螺栓 M8×12   | Bolt, M8×12                    | 3              |              |
| 20        | GB/T16674.1       | 螺栓 M8×25   | Bolt, M8×25                    | 1              |              |
| 21        | 33820             | 后反射器       | Reflector, rear                | 2              |              |
| 22        | GB/T6177.1        | 螺母 M5      | Nut, M5                        | 2              |              |
| 23        | 33810/125-4       | 前反射器       | Reflector, front               | 2              |              |
| 24        | 42800             | 保险杠        | Bumper                         | 1              |              |
| 25        | 41100             | 车架焊接总成     | Frame weldment                 | 1              |              |

# F-16 后叉焊接组合 REAR FORK WELDMENT



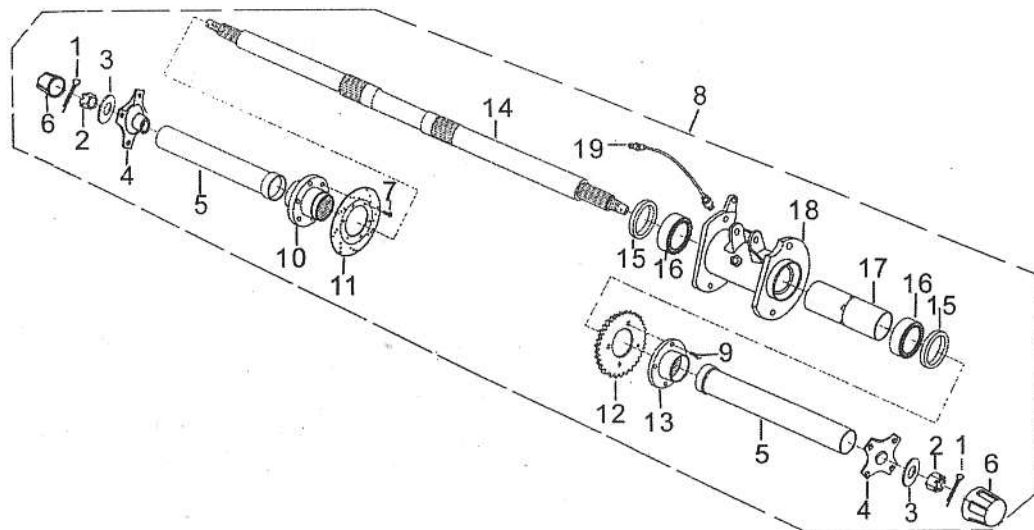
| 序号<br>S/N | 零 部 件 代 号<br>Part No. | 零 部 件 名 称      | Description               | 数量<br>Quantity | 备 注<br>Remark |
|-----------|-----------------------|----------------|---------------------------|----------------|---------------|
| 1         | 61100                 | 后叉焊接组合         | Rear fork weldment        | 1              |               |
| 2         | 67650                 | 后桥保护架组合        | Hood, rear axle           | 1              |               |
| 3         | GB/T16674.1           | 螺栓 M6×16       | Bolt, M6×16               | 4              |               |
| 4         | 61951                 | 后叉轴            | Shaft, rear fork          | 1              |               |
| 5         | 61241                 | 后叉轴防尘盖         | Dust cover, rear fork     | 2              |               |
| 6         | GB/T6187.2            | 螺母 M14×1.5     | Nut, M×1.5                | 1              |               |
| 7         | GB/T16674.2           | 螺栓 M12×1.25×25 | Bolt, M12×1.25×25         | 4              |               |
| 8         | 61411                 | 链条调节器 (主板)     | Adjuster, chain           | 2              |               |
| 9         | GB/T97.1              | 垫圈 8           | Washer, 8                 | 2              |               |
| 10        | GB/T93                | 垫圈 8           | Washer, 8                 | 2              |               |
| 11        | GB/T6170              | 螺母 M8          | Nut, M8                   | 2              |               |
| 12        | 61410                 | 链条调节器组件        | Adjuster set, chain       | 2              |               |
| 13        | 61422                 | 链条调节器定位板       | Plate, adjuster           | 1              |               |
| 14        | 62100                 | 后减震器总成         | Shock absorber Assy, rear | 1              |               |
| 15        | GB/T16674.2           | 螺栓 M10×1.25×55 | Bolt, M10×1.25×55         | 1              |               |

# F-16 后叉焊接组合 REAR FORK WELDMENT



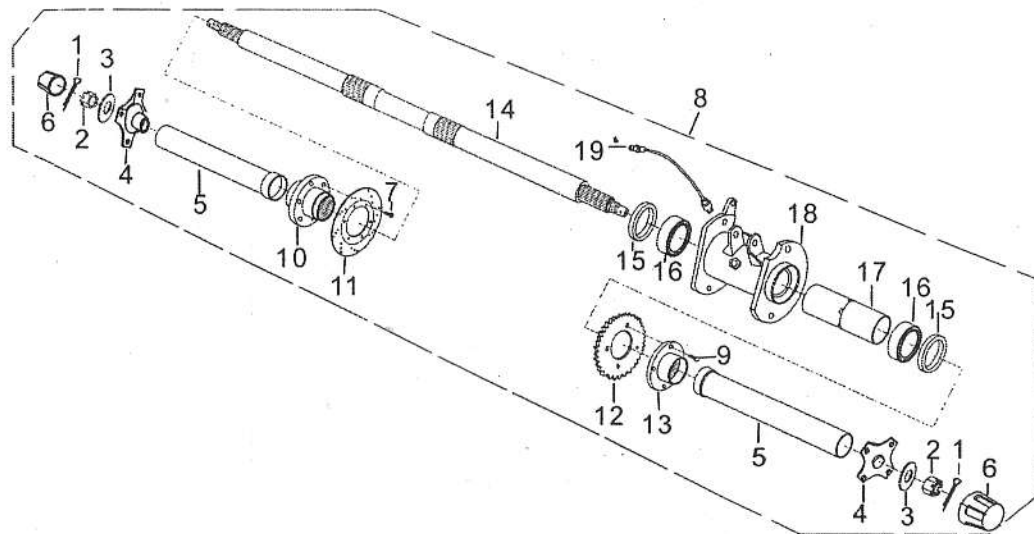
| 序号<br>S/N | 零 部 件 代 号<br>Part No. | 零 部 件 名 称      | Description       | 数 量<br>Quantity | 备 注<br>Remark |
|-----------|-----------------------|----------------|-------------------|-----------------|---------------|
| 16        | GB/T16674.2           | 螺栓 M10×1.25×60 | Bolt, M10×1.25×60 | 1               |               |
| 17        | GB/T6187.2            | 螺母 M10×1.25    | Nut, M10×1.25     | 1               |               |
| 18        | GB/T93                | 垫圈 8           | Washer, 8         | 4               |               |

# F-17 后轴总成 REAR AXLE ASSY



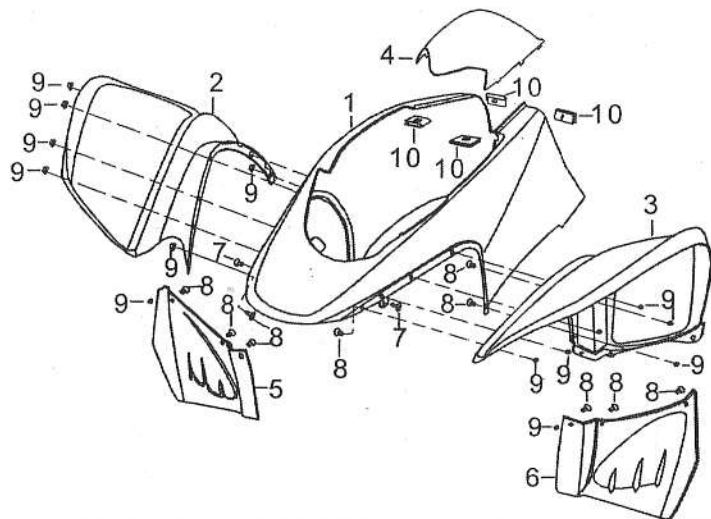
| 序号<br>S/N | 零 部 件 代 号<br>Part No. | 零 部 件 名 称     | Description                  | 数 量<br>Quantity | 备 注<br>Remark |
|-----------|-----------------------|---------------|------------------------------|-----------------|---------------|
| 1         | GB/T91                | 开口销 3.0×30    | Split pin, 3.0×30            | 2               |               |
| 2         | GB/T9457              | 螺母 M18×1.5    | Nut, M18×1.5                 | 2               |               |
| 3         | 93541                 | 平垫圈 I         | Washer I, plain,             | 2               |               |
| 4         | 64210                 | 后轮毂组件         | Hub set, rear wheel          | 2               |               |
| 5         | 64912                 | 后轮右衬套         | Bush, rear wheel             | 2               |               |
| 6         | 64914/90ST-3          | 后轮轴右护套        | Boot, rear axle              | 2               |               |
| 7         | GB/T70.2              | 内六角螺钉 M8×25   | Screw, M8×25                 | 4               |               |
| 8         | 67000                 | 后桥总成          | Axle Assy, rear              | 1               |               |
| 9         | GB/T5783              | 螺栓 M8×25      | Bolt, M8×25                  | 4               |               |
| 10        | 67511                 | 后制动盘花键套       | Hub, rear brake disc splined | 1               |               |
| 11        | 66311/250ST-A         | 后制动盘          | Disc, rear brake             | 1               |               |
| 12        | 68521                 | 链轮            | Sprocket I                   | 1               |               |
| 13        | 67512                 | 链轮花键套         | Hub, sprocket splined        | 1               |               |
| 14        | 64911                 | 后轮轴           | Axle, rear                   | 1               |               |
| 15        | GB/T13871             | 油封 FB 50×68×8 | Oil seal, FB 50×68×8         | 2               |               |

# F-17 后轴总成 REAR AXLE ASSY



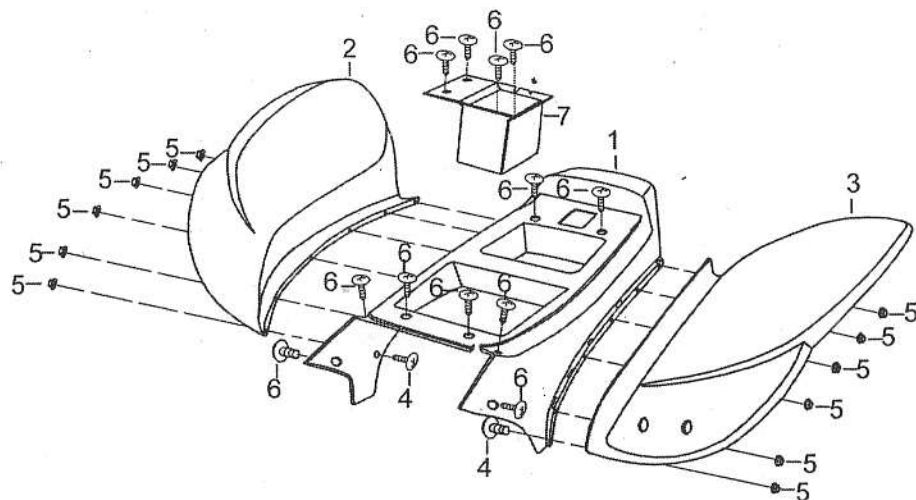
| 序号<br>S/N | 零部件代号<br>Part No. | 零部件名称     | Description                         | 数量<br>Quantity | 备注<br>Remark |
|-----------|-------------------|-----------|-------------------------------------|----------------|--------------|
| 16        | GB/T276           | 轴承 6008   | Bearing, 6008                       | 2              |              |
| 17        | 67120             | 后桥壳体内轴套组件 | Bush comp., rear axle housing inner | 1              |              |
| 18        | 67110             | 后桥壳体组件    | Housing set, rear axle              | 1              |              |
| 19        | 37870             | 速度传感器组合   | Sensor, speed                       | 1              |              |
| 20        | 64914             | 后轮轴右护套    | Boot, rear axle                     | 2              |              |

# F-18 前面罩 FRONT COWL



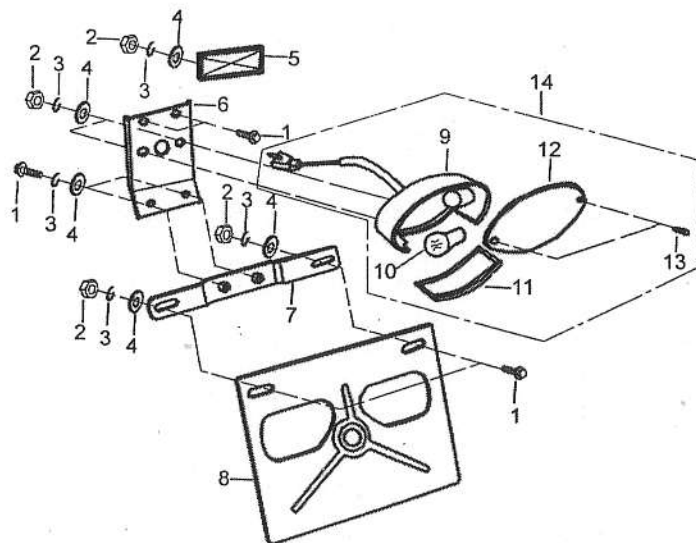
| 序号<br>S/N | 零 部 件 代 号<br>Part No. | 零 部 件 名 称 , | Description              | 数 量<br>Quantity | 备 注<br>Remark |
|-----------|-----------------------|-------------|--------------------------|-----------------|---------------|
| 1         | 43251                 | 前面罩         | Cowl, front              | 1               |               |
| 2         | 43264                 | 前面罩右装饰板     | Ornament, front cowl, RH | 1               |               |
| 3         | 43265                 | 前面罩左装饰板     | Ornament, front cowl, LH | 1               |               |
| 4         | 43251                 | 前导流罩        | Fairing, front           | /1              |               |
| 5         | 53111                 | 前挡泥板右体      | Fender, front, RH        | 1               |               |
| 6         | 53211                 | 前挡泥板左体      | Fender, front, LH        | 1               |               |
| 7         | 93312/100-5           | 大盘头螺钉 M6×16 | Screw, big pan, M6×16    | 2               |               |
| 8         | 93331                 | 小盘头螺钉 M5×12 | Screw, small pan, M5×12  | 18              |               |
| 9         | GB/T6177.1            | 螺母 M5       | Nut, M5                  | 18              |               |
| 10        | 93262/110-8A          | 卡子螺母 M6     | Nut, M6                  | 4               |               |

# F-19 后围板 REAR COVER



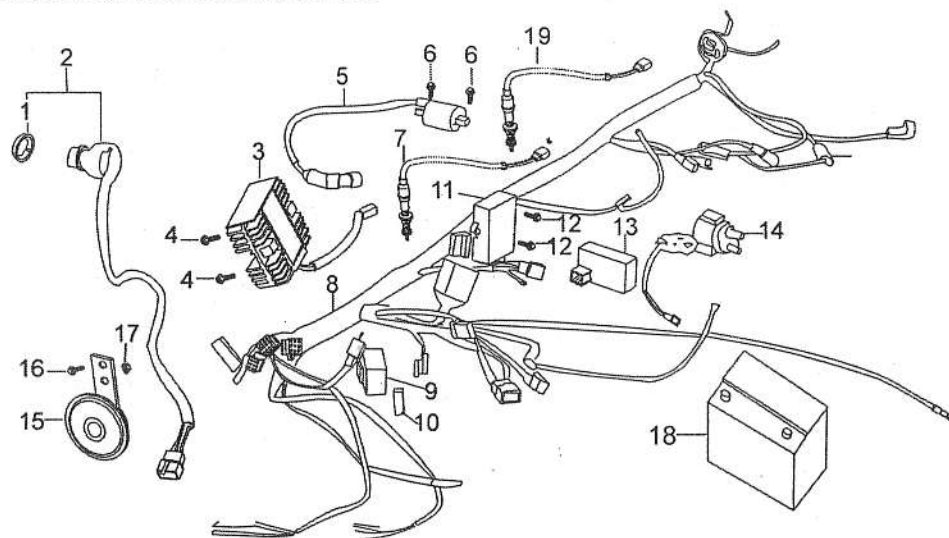
| 序号<br>S/N | 零部件代号<br>Part No. | 零部件名称    | Description           | 数量<br>Quantity | 备注<br>Remark |
|-----------|-------------------|----------|-----------------------|----------------|--------------|
| 1         | 43711             | 后围板      | Cover, rear           | 1              |              |
| 2         | 43372             | 右后围板护板   | Guard, rear skirt, RH | 1              |              |
| 3         | 43472             | 左后围板护板   | Guard, rear skirt, LH | 1              |              |
| 4         | GB/T818           | 螺钉 M5×12 | Screw, M5×12          | 12             |              |
| 5         | GB/T6177.1        | 螺母 M5    | Nut, M5               | 12             |              |
| 6         | 93312/100-5       | 螺钉 M6×16 | Screw, M6×16          | 12             |              |
| 7         | 31811             | 蓄电池盒     | Case, battery         | 1              |              |

## F-20 尾灯总成 TAILLIGHT ASSY



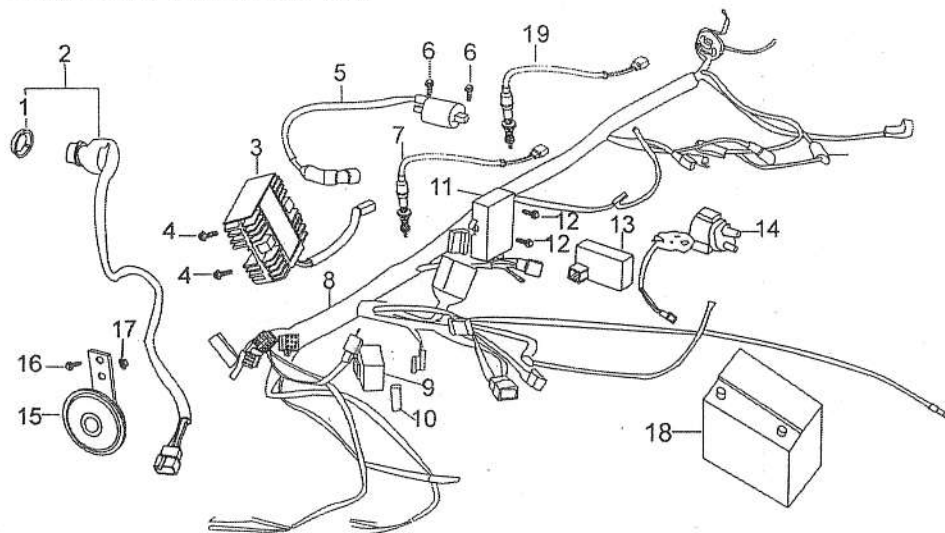
| 序号<br>S/N | 零部件代号<br>Part No. | 零部件名称        | Description                 | 数量<br>Quantity | 备注<br>Remark |
|-----------|-------------------|--------------|-----------------------------|----------------|--------------|
| 1         | GB/T16674.1       | 螺栓 M6×16     | Bolt, M6×16                 | 6              |              |
| 2         | GB/T6170          | 螺母 M6        | Nut, M6                     | 5              |              |
| 3         | GB/T93            | 垫圈 6         | Washer, 6                   | 7              |              |
| 4         | GB/T97.1          | 垫圈 6         | Washer, 6                   | 7              |              |
| 5         | 33820             | 后反射器         | Reflector, rear             | 2              |              |
| 6         | 33971             | 尾灯安装支架       | Bracket, taillight          | 1              |              |
| 7         | 63710             | 后牌照支架组件      | Bracekt comp., rear license | 1              |              |
| 8         | 63712             | 后牌照底板        | Floor, rear license         | 1              |              |
| 9         | 33750             | 尾灯灯壳组件       | Housing comp., taillight    | 1              |              |
| 10        | GB15766.1         | 灯泡 12V 12/5W | Bulb, 12V 12/5W             | 1              |              |
| 11        | 33761             | 牌照灯透光片       | Glass, license light        | 1              |              |
| 12        | 33711             | 尾灯罩          | Lens, taillight             | 1              |              |
| 13        | GB/T845           | 螺钉 ST2.9×19  | Screw, M2.9×19              | 1              |              |
| 14        | 33700             | 尾灯总成         | Taillight Assy              | 1              |              |

## F-21 电器总成 ELECTRICAL ELEMENTS



| 序号<br>S/N | 零部件代号<br>Part No. | 零部件名称    | Description          | 数量<br>Quantity | 备注<br>Remark |
|-----------|-------------------|----------|----------------------|----------------|--------------|
| 1         | 93217             | 锁紧螺母 II  | Locknut II           | 1              |              |
| 2         | 35400/250ST       | 点火开关     | Switch, ignition     | 1              |              |
| 3         | 31600             | 电压调节器    | Regulator, voltage   | 1              |              |
| 4         | GB/T16674.1       | 螺栓 M6×25 | Bolt, M6×25          | 2              |              |
| 5         | 34500             | 点火线圈     | Coil, ignition       | 1              |              |
| 6         | GB/T16674.1       | 螺栓 M5×25 | Bolt, M5×25          | 2              |              |
| 7         | 35330             | 后制动开关    | Switch, rear brake   | 1              |              |
| 8         | 32100             | 主电缆      | Cable, main          | 1              |              |
| 9         | 38210/50ST-A      | 闪光继电器    | Relay, flashing      | 1              |              |
| 10        | 38211/50ST-A      | 闪光继电器胶套  | Boot, flashing relay | 1              |              |
| 11        | 34400             | 点火控制器    | Controller, ignition | 1              |              |
| 12        | GB/T16674.1       | 螺栓 M6×16 | Bolt, M6×16          | 1              |              |
| 13        | 36260             | 倒档控制器    | Controller, reverse  | 1              |              |
| 14        | 34600             | 启动继电器    | Relay, start         | 1              |              |
| 15        | 38100             | 喇叭       | Horn                 | 1              |              |

# F-21 电器总成 ELECTRICAL ELEMENTS



| 序号<br>S/N | 零部件代号<br>Part No. | 零部件名称    | Description     | 数量<br>Quantity | 备注<br>Remark |
|-----------|-------------------|----------|-----------------|----------------|--------------|
| 16        | GB/T16674.1       | 螺栓 M6×16 | Bolt, M6×16     | 1              |              |
| 17        | GB/T6177.1        | 螺母 M6    | Nut, M6         | 1              |              |
| 18        | 31500             | 蓄电池      | Battery         | 1              |              |
| 19        | 35820             | 倒档控制器开关  | Switch, reverse | 1              |              |